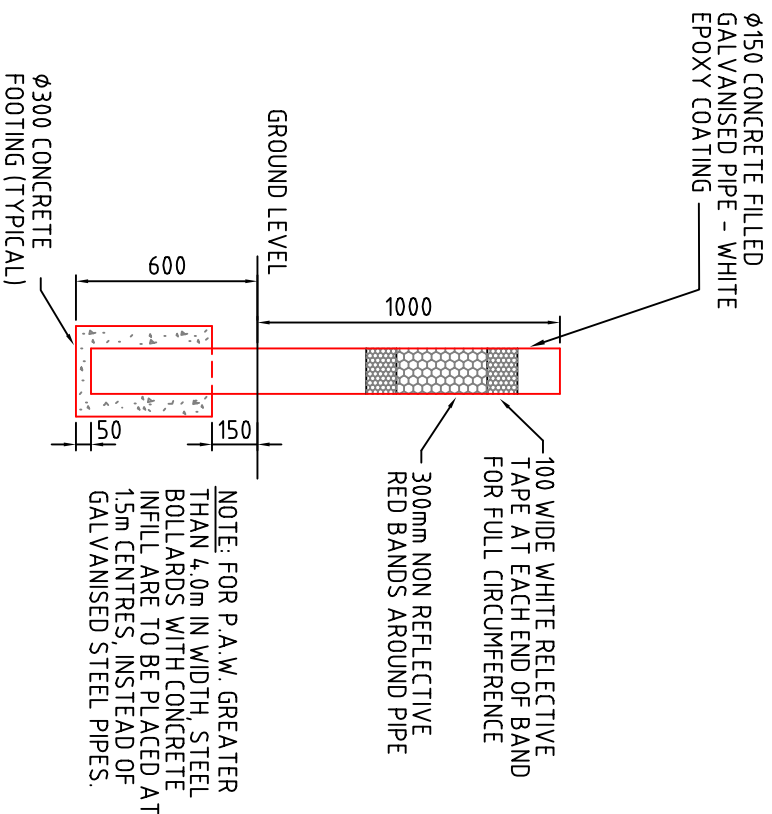
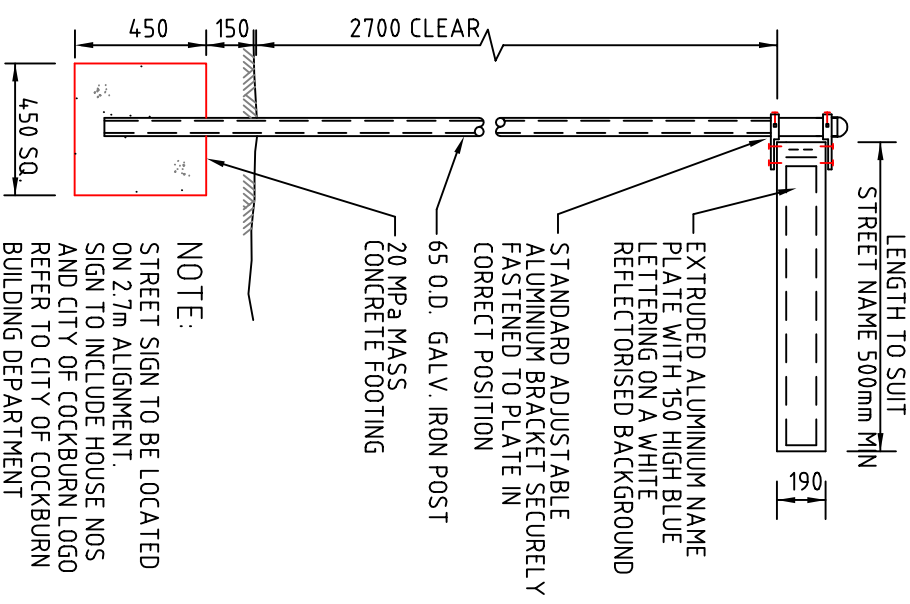
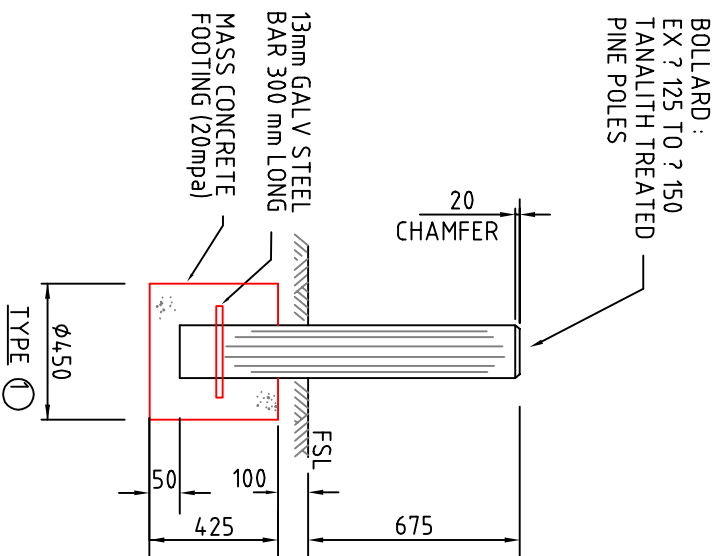


POST & RAIL FENCING DETAILS

1:25

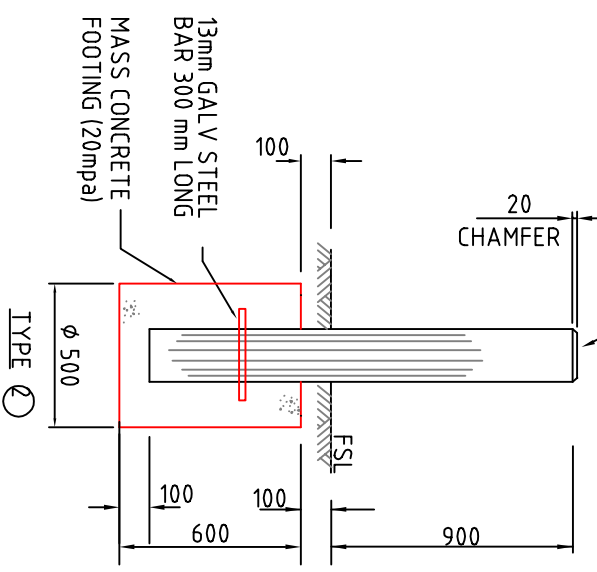


ALL BOLLARDS TO BE ERECTED AT MIN 1200 c/c OR MAX 1500 c/c



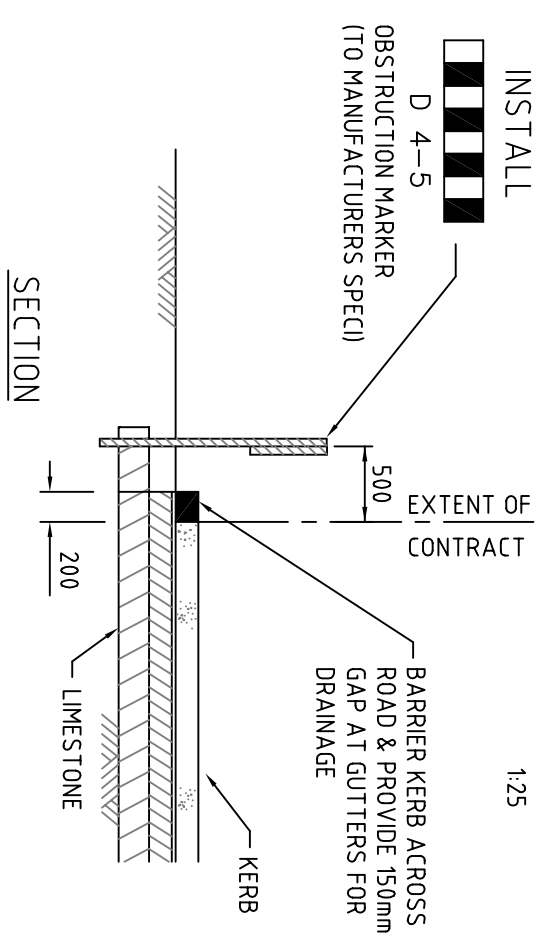
STREET SIGN DETAIL

1:25



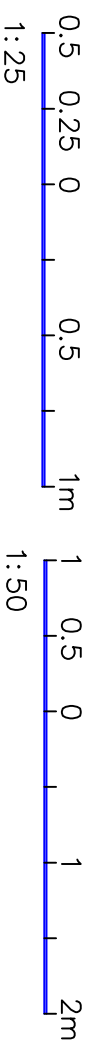
TYPICAL TIMBER BOLLARD DETAIL

1:25



OBSTRUCTION MAKER DETAILS AT ENDS OF ROADS

1:50



No.		Revision-		City of Cockburn would like to acknowledge and thank GutteridgeHaskins & Davey Pty. Ltd. for their assistance in the production of these standard detail drawings	
Chk'd		App'd		Date	
CITY OF COCKBURN		9 COLEVILLE CRESCENT, SPEARWOOD WA 6163		PHONE: (08) 9411 3444 FAX: (08) 9411 3416	
DESIGNED		GHD		APPROVED	
DRAWN		KMF/SYC		DATE	
CHECKED		KR		SCALE AS SHOWN	
JOB No		2423B03		SHEET No	
REV		05		REV	