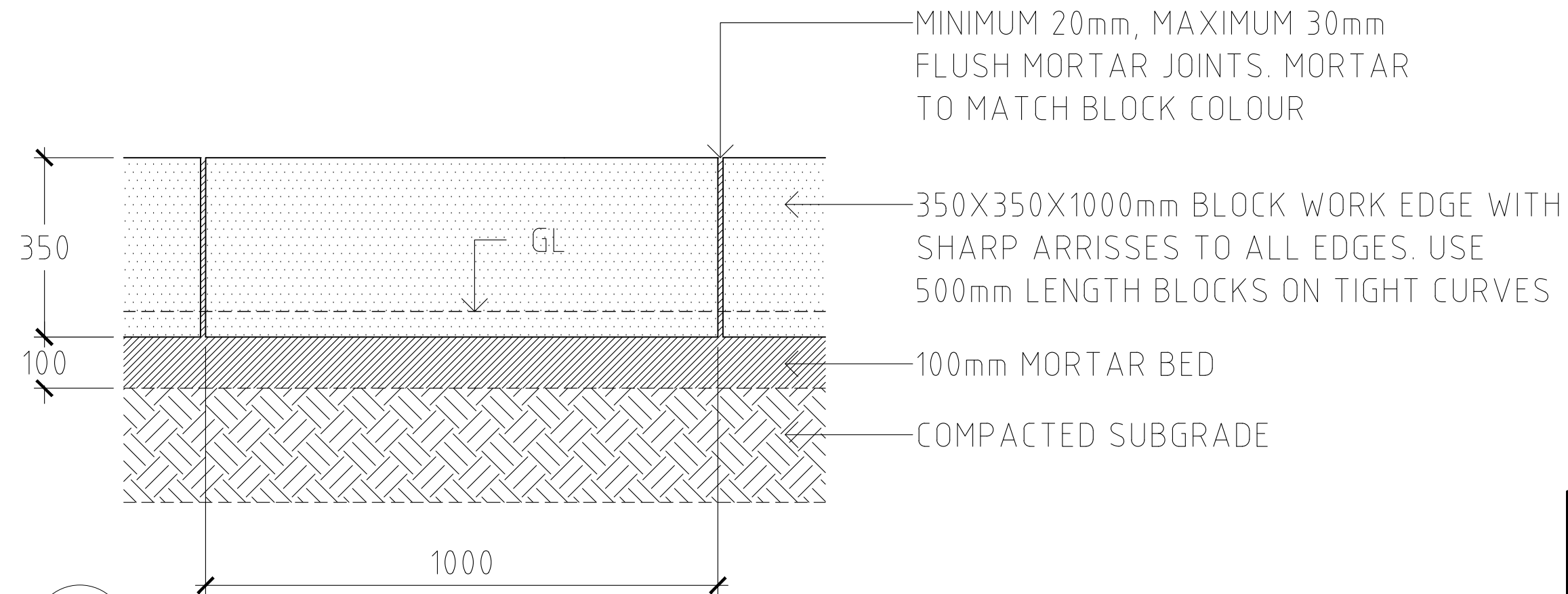


01

L 01 TYPICAL DETAIL SECTION

SCALE 1:20 @ A3

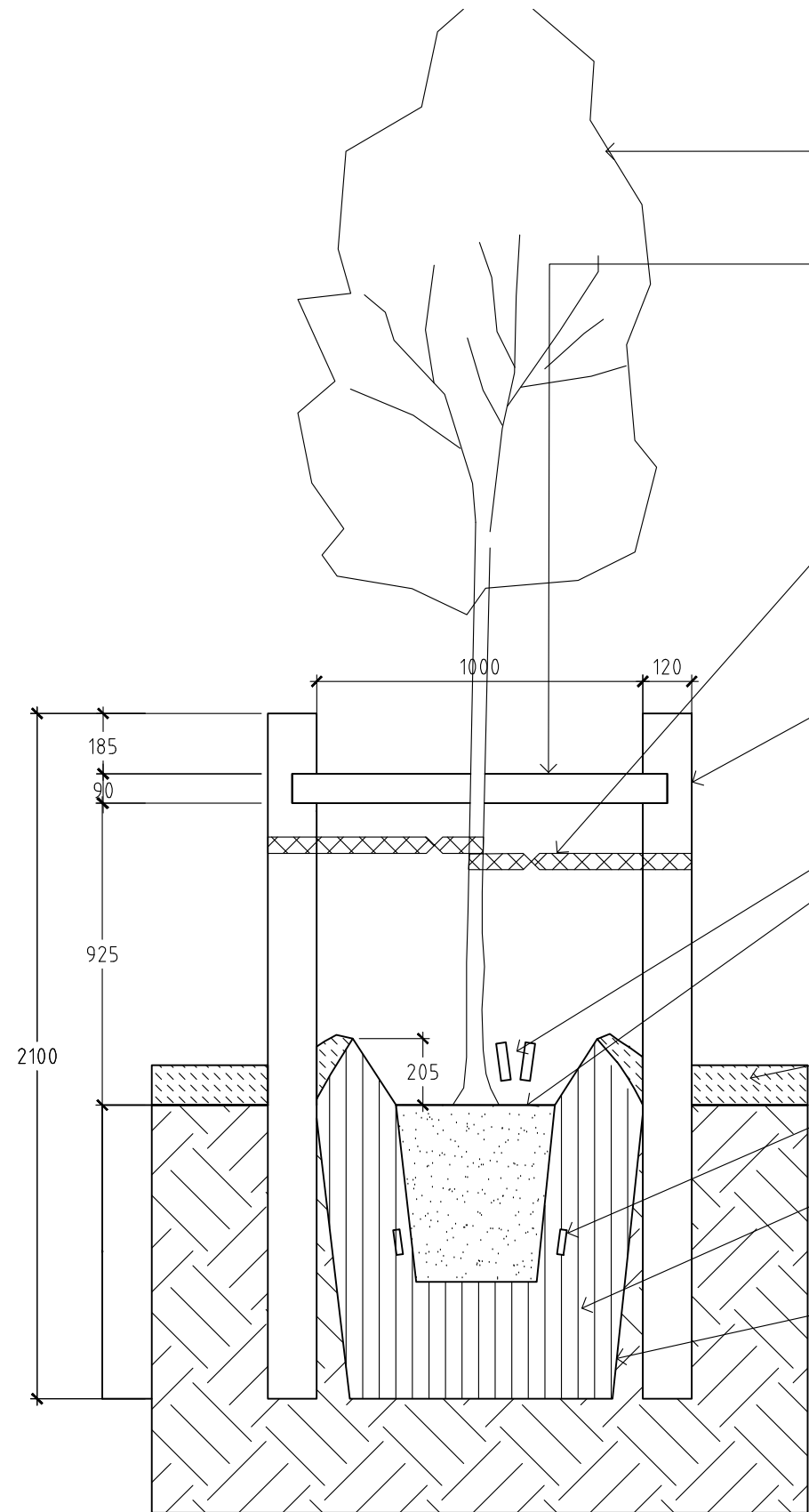


02

L 01 TYPICAL DETAIL ELEVATION

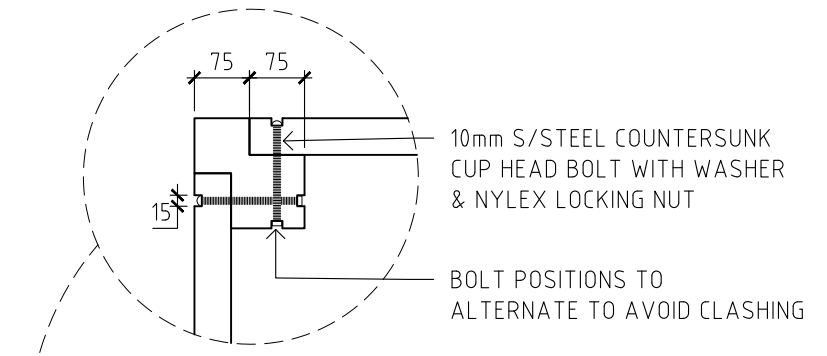
SCALE 1:20 @ A3

ORIGINAL			
<b>CITY OF COCKBURN</b>			
9 COLEVILLE CRESCENT, SPEARWOOD WA 6163 PHONE: (08) 9411 3444 FAX: (08) 9411 3416			
TITLE <b>LIMESTONE BLOCK WALL</b> SINGLE COURSE			
DESIGNED	APPROVED	SCALE <b>AS SHOWN</b>	JOB No.
DRAWN		DWG No.	SHEET No.
CHECKED	19-11-2014	1	L01

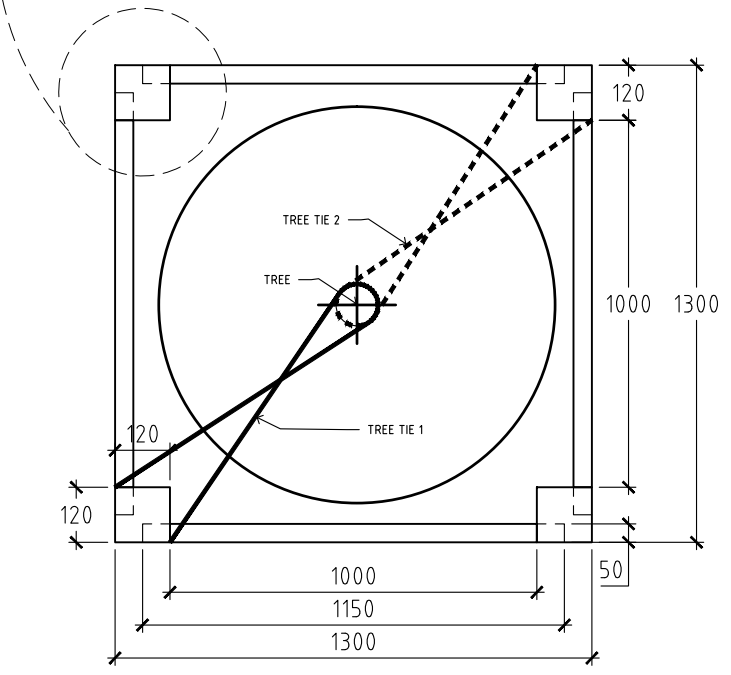


**01**  
L 02 TYPICAL SECTION SCALE 1:20 @ A3

- CONTAINER GROWN TREE. SIZE, SPECIES AND CULTIVATION AS SPECIFIED BY CLIENT
- 90 x 45 x 1150mm CCA PRESSURE TREATED PINE RAIL. PLANED ALL ROUND. LET INTO POST WITH HALF LAP JOINT. SECURED WITH S/STEEL WOOD SCREWS. ALL TIMBER TO BE PAINTED WITH EXTERIOR GRADE WATER SOLUBLE PAINT COLOUR TO BE CONFIRMED
- 2NO. RUBBER TREE TIES ATTACHED TO DIAGONALLY OPPOSITE CORNER POSTS, TWISTED THEN WRAPPED AROUND TREE STEM AND BACK TO THEIR ORIGIN. SECURE TO POSTS WITH GALVANISED STAPLES.
- 4 No 150x150x1800mm TREATED PINE POST. PLANED ALL ROUND. ALL TIMBER TO BE PAINTED WITH EXTERIOR GRADE WATER SOLUBLE PAINT COLOUR TO BE CONFIRMED
- 2NO. BUBBLER IRRIGATION EMITTERS PER TREE - ALLOW FOR SLEEVING AND ROAD CROSSINGS TO MEDIANS.
- TREE TO BE PLANTED LEVEL WITH PAVING. FORM A DISH WITH BACK FILL SOIL TO CONTAIN IRRIGATION WATER.
- 75 mm PINE BARK MULCH
- INSTALL FERTILIZER TABLETS TO MANUFACTURER'S DIRECTION.
- EXCAVATE PLANTING HOLE TO BE TWICE THE SIZE OF CONTAINER AND BACKFILL WITH 50/50 MIX APPROVED SOIL CONDITIONER & SITE SOIL
- BREAK UP AND CULTIVATE SIDES AND BOTTOM OF PLANTING HOLE TO 150mm DEPTH



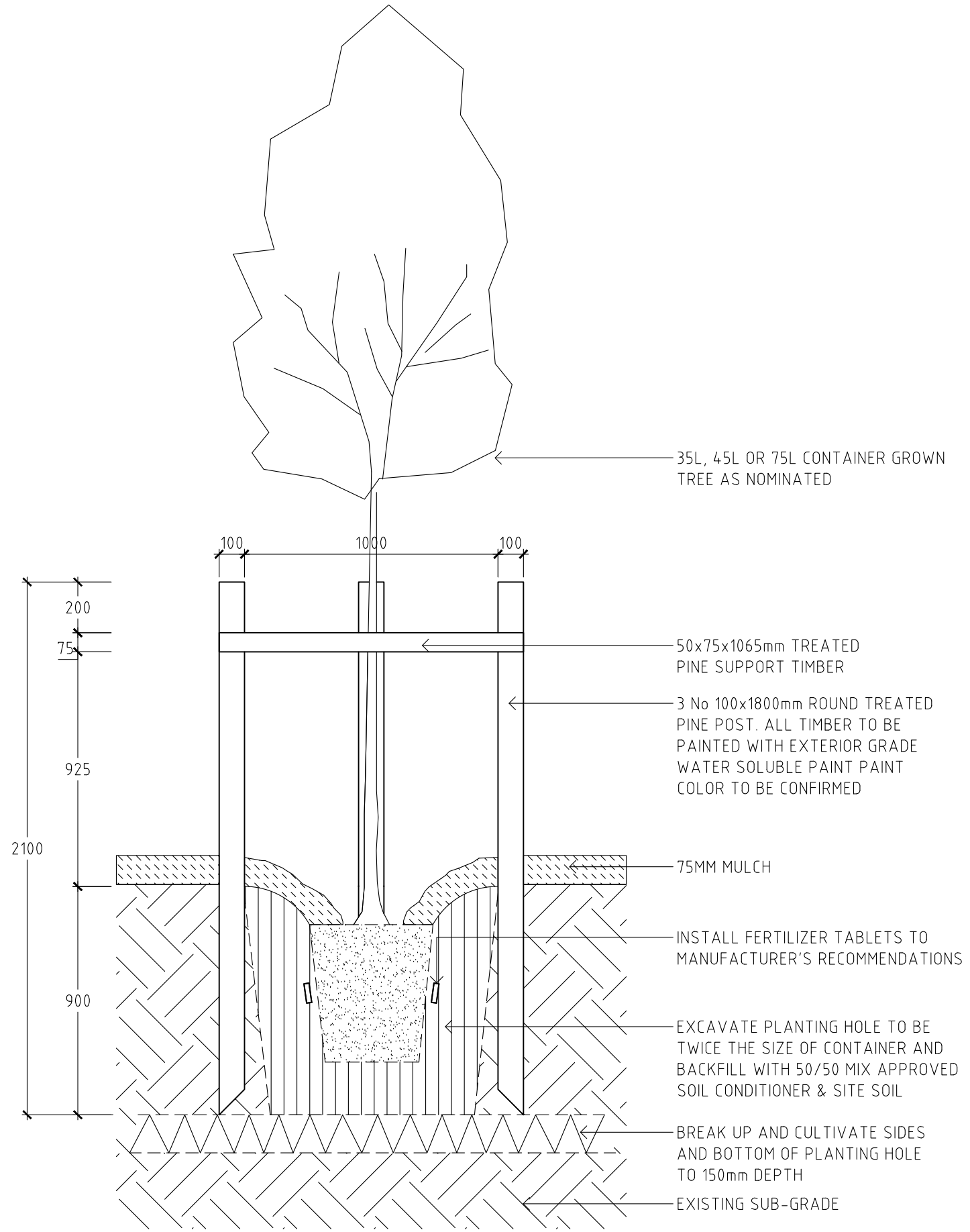
**02** RAIL FIXING  
L 02 TYPICAL DETAIL PLAN SCALE 1:10 @ A3



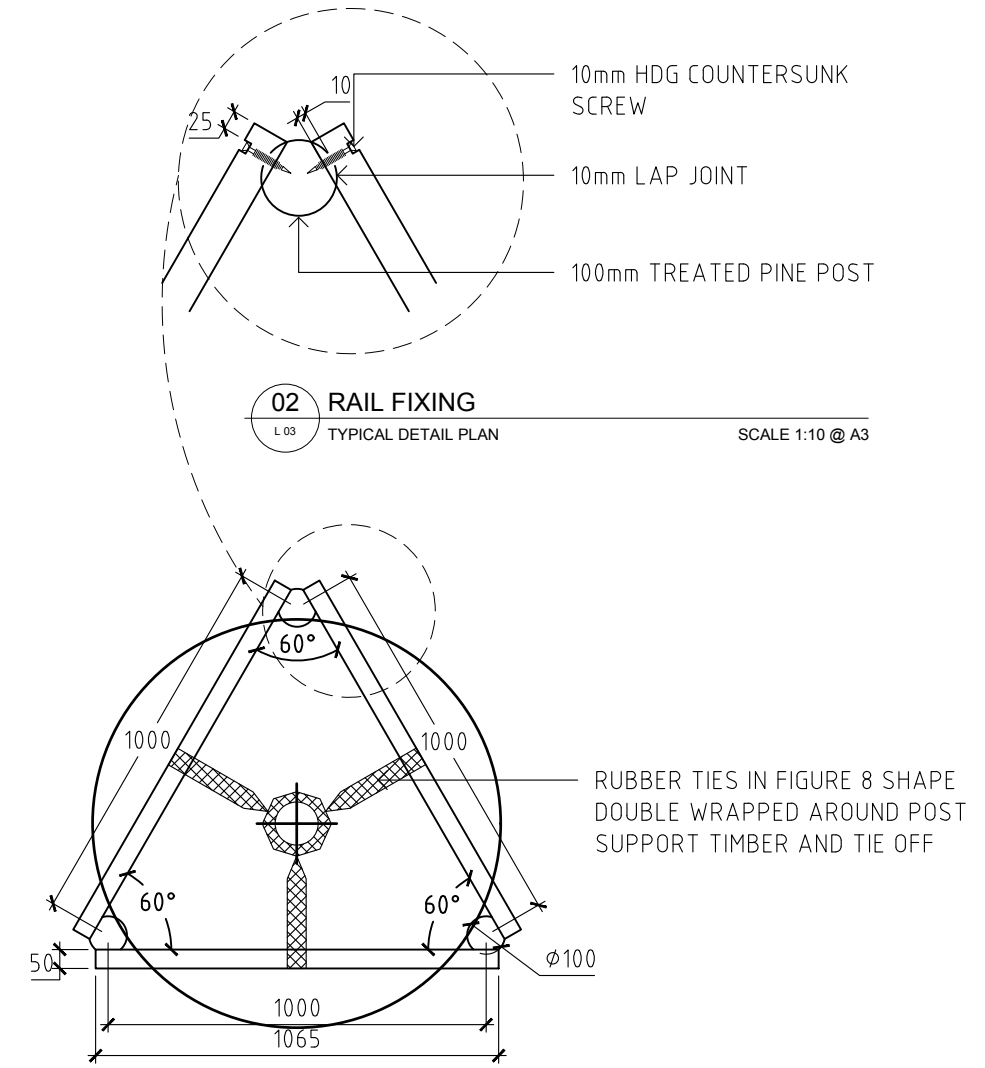
**03**  
L 02 TYPICAL PLAN SCALE 1:20 @ A3

ORIGINAL SIZE A3

<b>CITY OF COCKBURN</b>			
9 COLEVILLE CRESCENT, SPEARWOOD WA 6163 PHONE: (08) 9411 3444 FAX: (08) 9411 3416			
TITLE			
<b>HEAVY DUTY TREE GUARD</b>			
DESIGNED	PJ	APPROVED	SCALE AS SHOWN
DRAWN	PJ	JOB No.	DWG No.
CHECKED	AJ	19-11-2014	SHEET No. REV
		1	L02 B



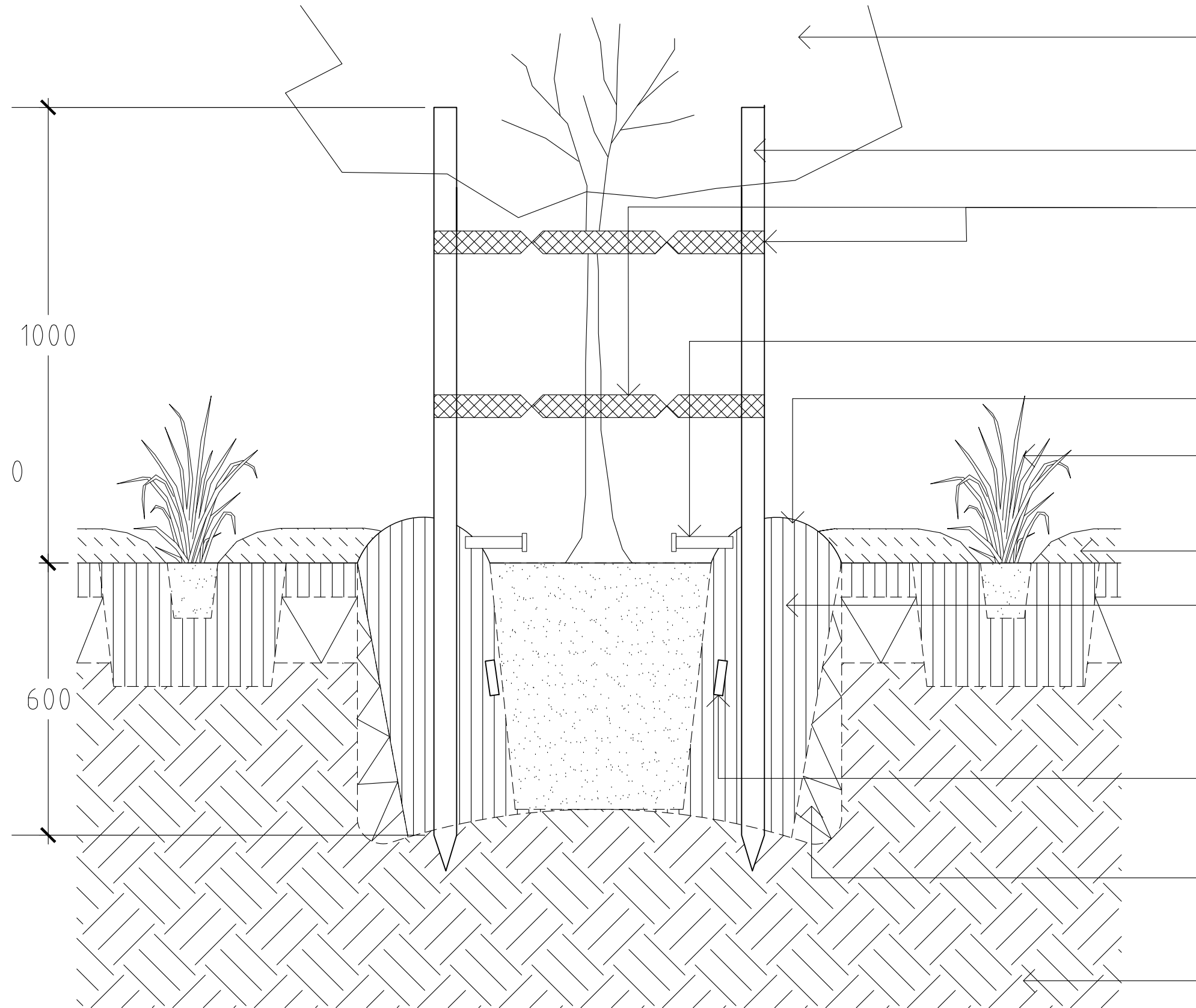
01 TYPICAL DETAIL SECTION SCALE 1:20 @ A3



02 RAIL FIXING TYPICAL DETAIL PLAN SCALE 1:10 @ A3

03 TYPICAL PLAN SCALE 1:20 @ A3

<b>CITY OF COCKBURN</b> 9 COLEVILLE CRESCENT, SPEARWOOD WA 6163 PHONE: (08) 9411 3444 FAX: (08) 9411 3416			
<b>TREE SURROUND</b> LIGHT DUTY			
DESIGNED	APPROVED	SCALE AS SHOWN	JOB No.
DRAWN		DWG No.	SHEET No.
CHECKED	19-11-2014	1	L03



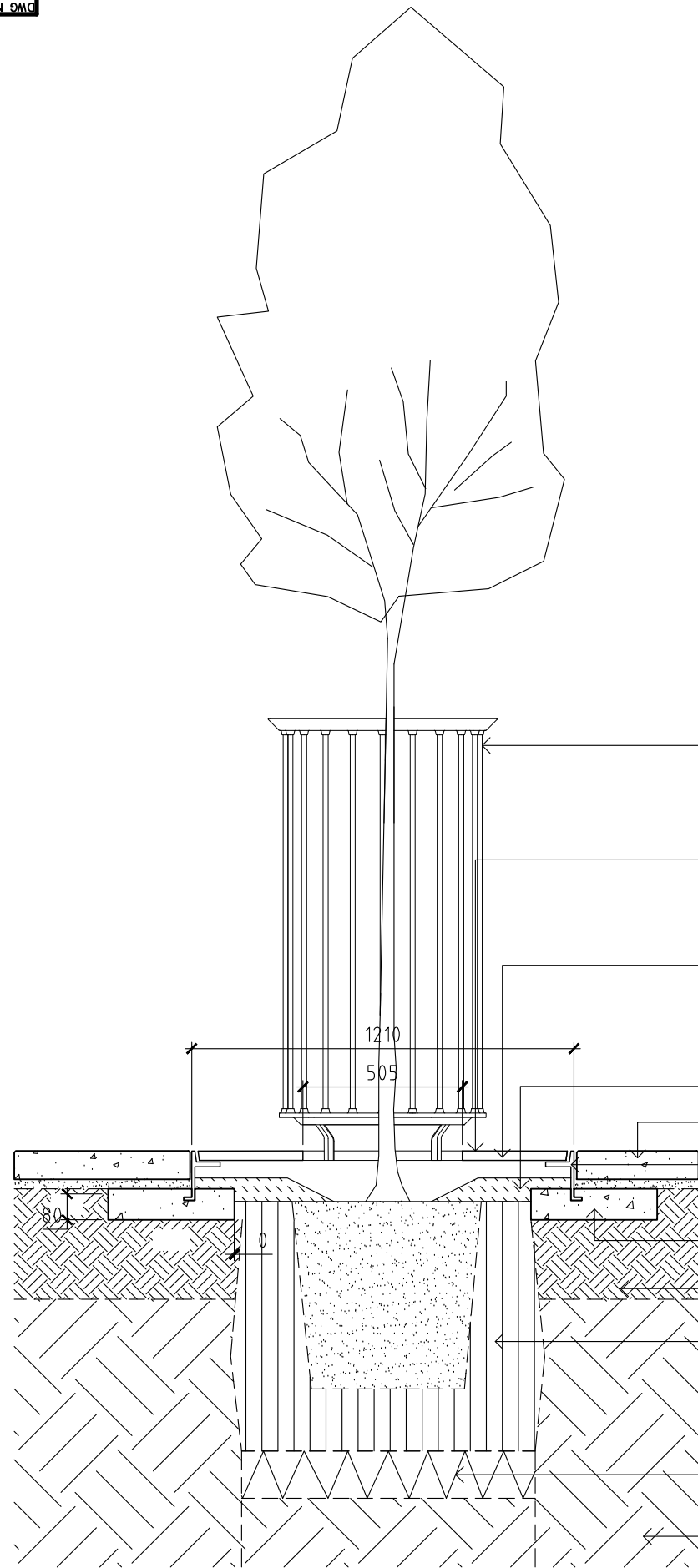
- 35L, 45L OR 75L CONTAINER  
GROWN TREE AS NOMINATED
- 50X50X2100 TIMBER STAKES
- 2no. RUBBER TIES IN FIGURE 8 SHAPE  
DOUBLE WRAPPED AROUND STAKES AND  
TIED OFF
- 2 x FLOOD BUBBLER EMITTERS PER TREE
- TOPSOIL BERM TO FORM WATERING DIS  
PLANTING AS NOMINATED
- 75mm DEPTH PINE BARK
- EXCAVATE PLANTING HOLE TO BE TWICE  
THE SIZE OF CONTAINER AND BACKFILL  
WITH 50/50 MIX APPROVED SOIL  
CONDITIONER & SITE SOIL
- INSTALL FERTILIZER TABLETS TO  
MANUFACTURER'S RECOMMENDATIONS
- RIP SIDES OF HOLE TO  
150MM DEPTH
- EXISTING SUBGRADE

01  
L 04

TYPICAL DETAIL SECTION

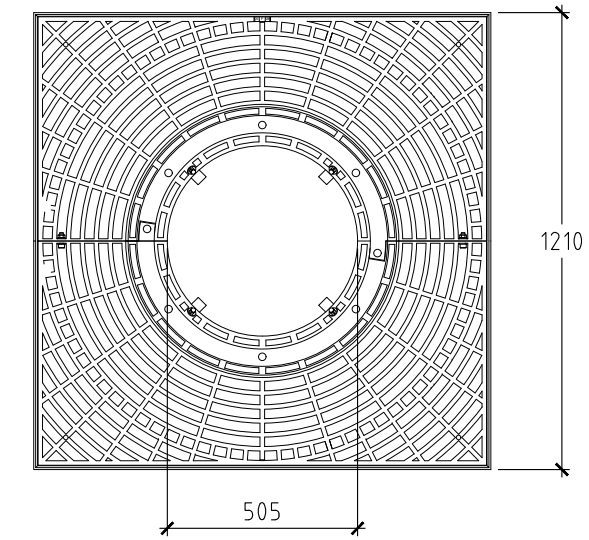
SCALE 1:10 @ A3

ORIGINAL <b>CITY OF COCKBURN</b> 9 COLEVILLE CRESCENT, SPEARWOOD WA 6163 PHONE: (08) 9411 3444 FAX: (08) 9411 3416			
TITLE <b>TYPICAL TREE PLANTING                  IN SHRUB BED</b>			
DESIGNED	APPROVED	SCALE AS SHOWN	JOB No.
DRAWN		DWG No.	SHEET No.
CHECKED	19-11-2014	1	L04

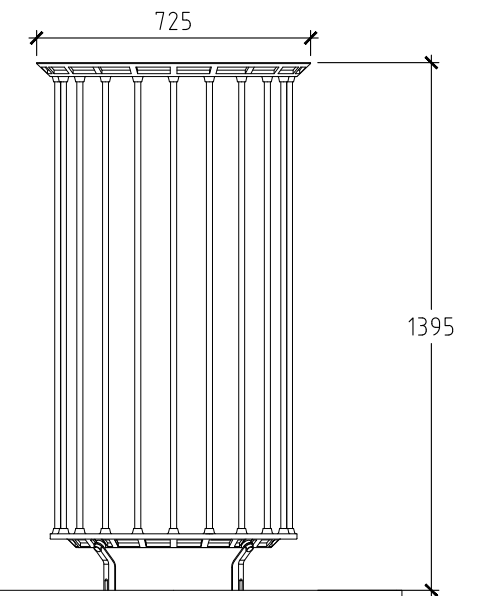


01  
L 05 TYPICAL DETAIL SECTION SCALE 1:20 @ A3

- 1395x725x505 (HEIGHT x EXTERNAL x INTERNAL) METAL TREE GUARD CODE No: 'TG6 GR2' AS SUPPLIED BY STREET FURNITURE OR APPROVED EQUIVALENT
- NEATLY CUT OR GRIND BACK TREE GRATE TO PROVIDE A MINIMUM OF 190mm CLEARANCE FROM TRUNK
- 1210mm RECTANGULAR TREE GRATE CODE No: 'GR2' AS SUPPLIED BY STREET FURNITURE OR APPROVED EQUIVALENT <http://streetfurniture.com/au/products/tr>
- 75mm MULCH LOCATED CLEAR OF TRUNK
- PAVING AS NOMINATED
- GALVANISED STEEL FRAME FIXED TO CONCRETE HAUNCH
- 100 X 400 CONCRETE EDGE BEAM
- COMPACTED SUBGRADE
- EXCAVATE PLANTING HOLE TO BE TWICE THE SIZE OF CONTAINER AND BACKFILL WITH 50/50 MIX APPROVED SOIL CONDITIONER & SITE SOIL
- BREAK UP SUBGRADE TO 150MM DEPTH
- EXISTING SUBGRADE

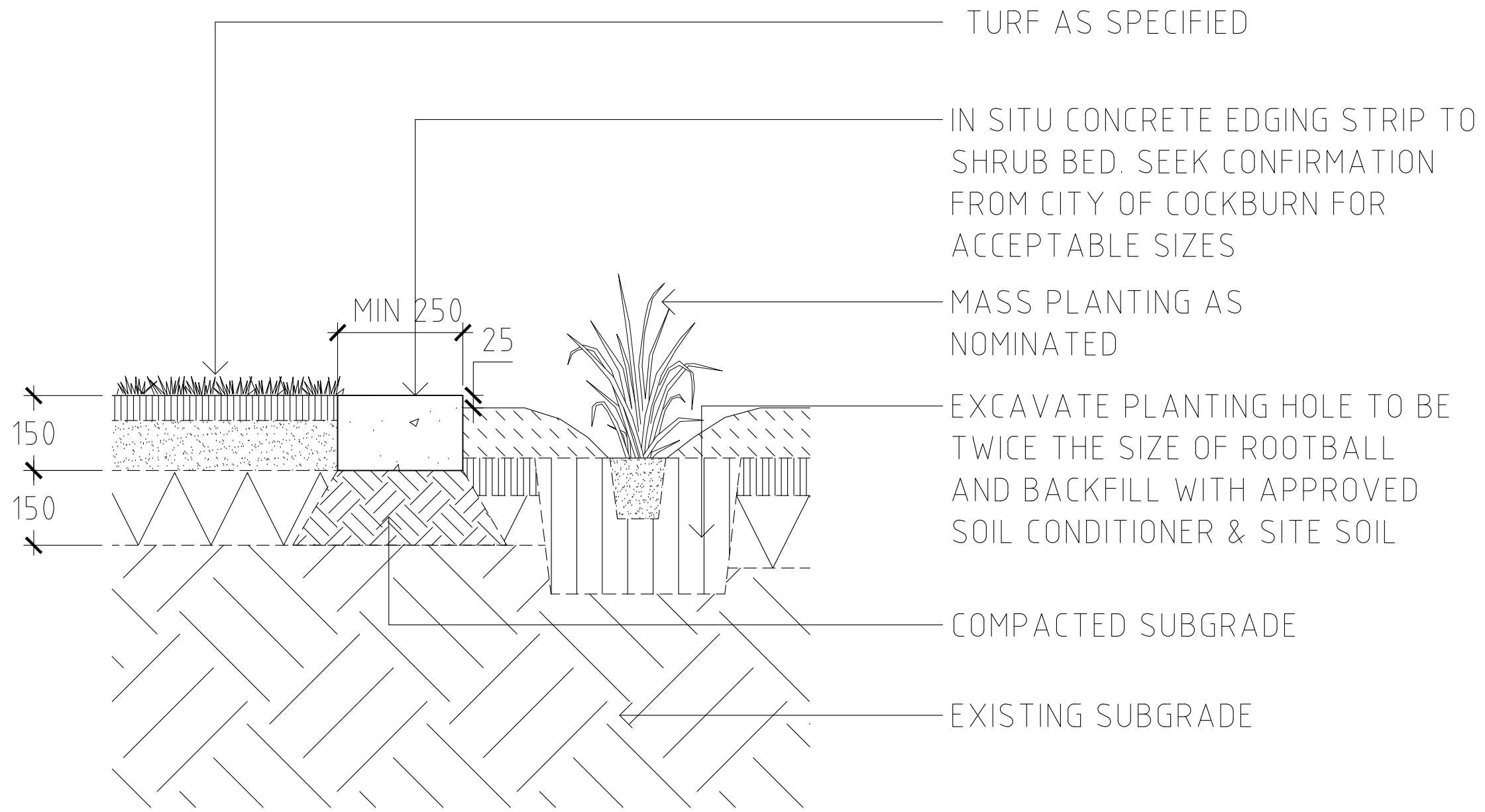


02 TREE GRATE  
L 05 TYPICAL PLAN SCALE 1:20 @ A3



03 TREE GUARD  
L 05 TYPICAL ELEVATION SCALE 1:20 @ A3

ORIGINAL <b>CITY OF COCKBURN</b> 9 COLEVILLE CRESCENT, SPEARWOOD WA 6163 PHONE: (08) 9411 3444 FAX: (08) 9411 3416			
<b>TYPICAL TREE PIT WITH CAST IRON GUARD AND GRATE</b>			
DESIGNED	APPROVED	SCALE AS SHOWN	JOB No.
DRAWN		DWG No.	SHEET No.
CHECKED	19-11-2014	1	L05

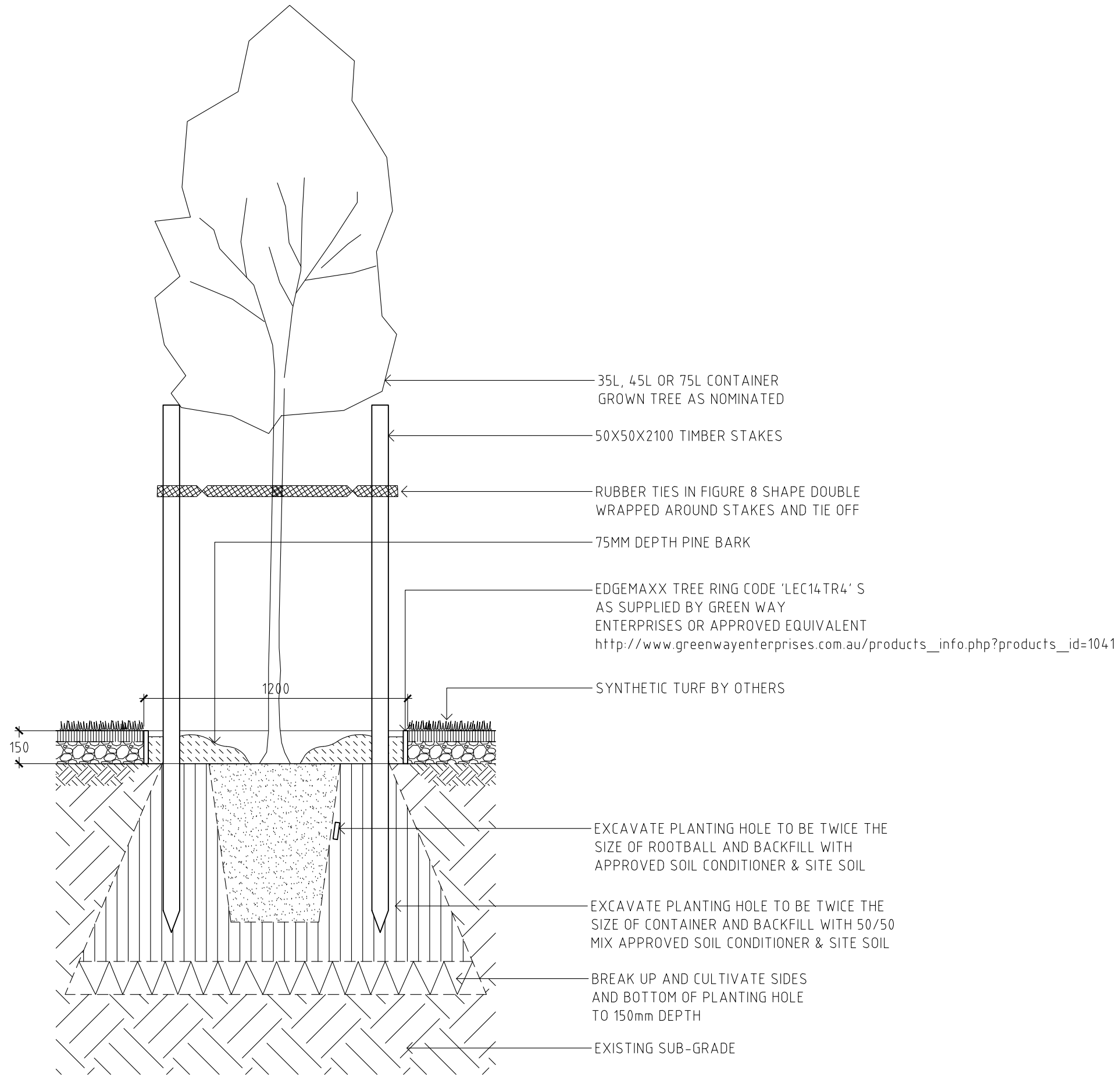


01  
L 06

TYPICAL DETAIL SECTION

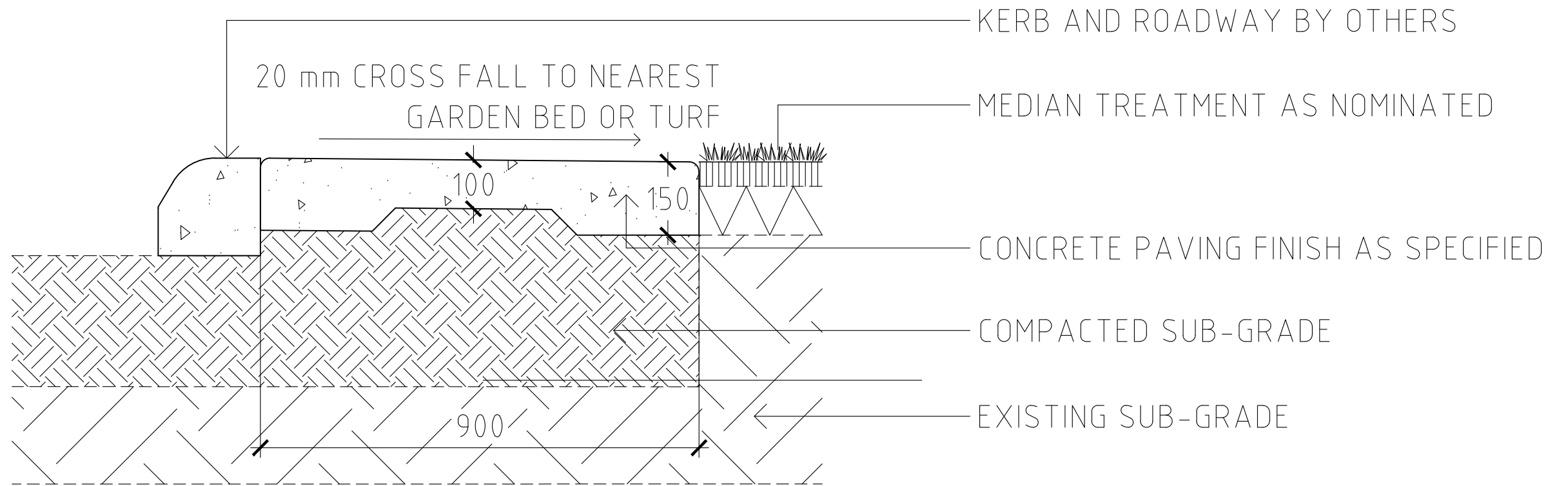
SCALE 1:10 @ A3

ORIGINAL			
<b>CITY OF COCKBURN</b>			
<small>9 COLEVILLE CRESCENT, SPEARWOOD WA 6163 PHONE: (08) 9411 3444 FAX: (08) 9411 3416</small>			
TITLE			
<b>CONCRETE EDGING TO SHRUB BED</b>			
DESIGNED	APPROVED	SCALE <b>AS SHOWN</b>	JOB No.
DRAWN		DWG No.	SHEET No.
CHECKED	19-11-2014	1	L06



01  
L07 TYPICAL DETAIL SECTION SCALE 1:20 @ A3

ORIGINAL			
<b>CITY OF COCKBURN</b>			
9 COLEVILLE CRESCENT, SPEARWOOD WA 6163 PHONE: (08) 9411 3444 FAX: (08) 9411 3416			
TITLE <b>TYPICAL TREE PLANTING IN ARTIFICIAL TURF WITH STEEL RING</b>			
DESIGNED	APPROVED	SCALE <b>AS SHOWN</b>	JOB No.
DRAWN		DWG No.	SHEET No.
CHECKED	19-11-2014	1	L07



01  
L 08

TYPICAL DETAIL SECTION

SCALE 1:10 @ A3

ORIGINAL			
<b>CITY OF COCKBURN</b>			
9 COLEVILLE CRESCENT, SPEARWOOD WA 6163 PHONE: (08) 9411 3444 FAX: (08) 9411 3416			
TITLE			
<b>CONCRETE STRIP TO MEDIAN ISLANDS</b>			
DESIGNED	APPROVED	SCALE <b>AS SHOWN</b>	JOB No.
DRAWN		DWG No.	SHEET No.
CHECKED	19-11-2014	1	L08