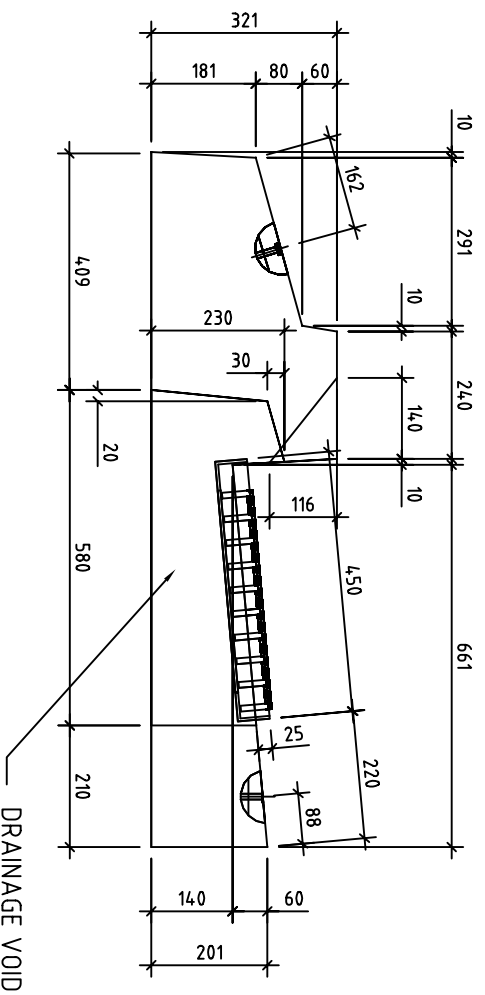


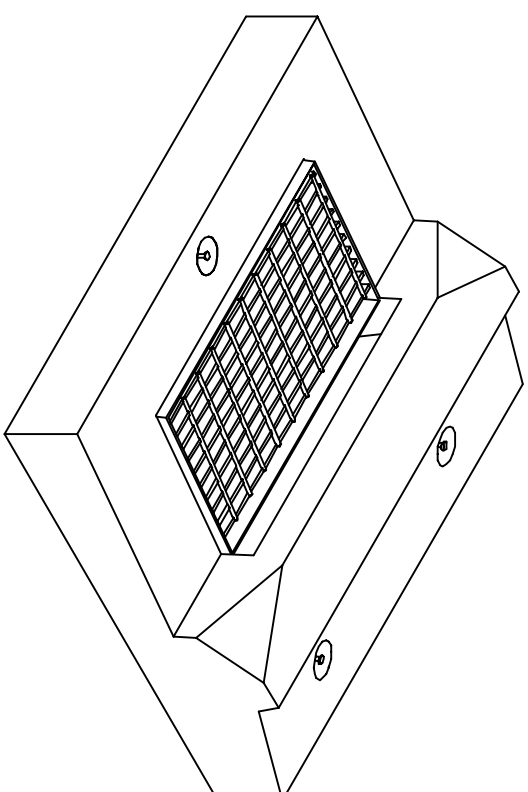
**TOP VIEW**

GRATING AND FRAME C/W HINGED BRACKET AND BICYCLE STRAPS (WHERE REQ'D) TO BE SUPPLIED BY OTHERS (WEBFORGE)



**SIDE ELEVATION**

DRAINAGE VOID



**ISOMETRIC VIEW**

MARK	TYSWLK-4	
No. OFF	N/A	
VOL.	0.258 m <sup>3</sup>	
WT.	0.620 t	
SUR AREA.	4.22 m <sup>2</sup>	
SURFACE FINISH	#2 MOULD	
CONCRETE STRENGTH	32 MPa	
CONCRETE GRADE	S32	
MAX AGGREGATE	14mm	
MAX. SLUMP	80mm	
CONCRETE COVER	50mm	
DIAGONALS		
A - D	N/A	
B - C	N/A	
LIFTING LUGS	QTY: 3 OFF	
PLAN	ELEVATION	

No.		
Revision-		
City of Cockburn would like to acknowledge and thank Gutterdighaskins & Davey Pty. Ltd. for their assistance in the production of these standard detail drawings		
City of Cockburn		
9 Coleville Crescent, Spearwood WA 6163		
Phone: (08) 9411 3444		
Fax: (08) 9411 3416		
Standard Details		
Designed: GHD		
Drawn: KMF/SYC		
Checked: KR		
Approved:		
Scale: AS SHOWN		
DWG No: 2423B03		
Job No:		
Sheet No: 16		
Rev:		

CITY OF COCKBURN		DRAINAGE	
COMBINATION SEP AND GULLY GRATE			
DESIGNED	GHD	APPROVED	
DRAWN	KMF/SYC	SCALE	AS SHOWN
CHECKED	KR	DWG No	2423B03
DATE		JOB No	
		SHEET No	16
		REV	