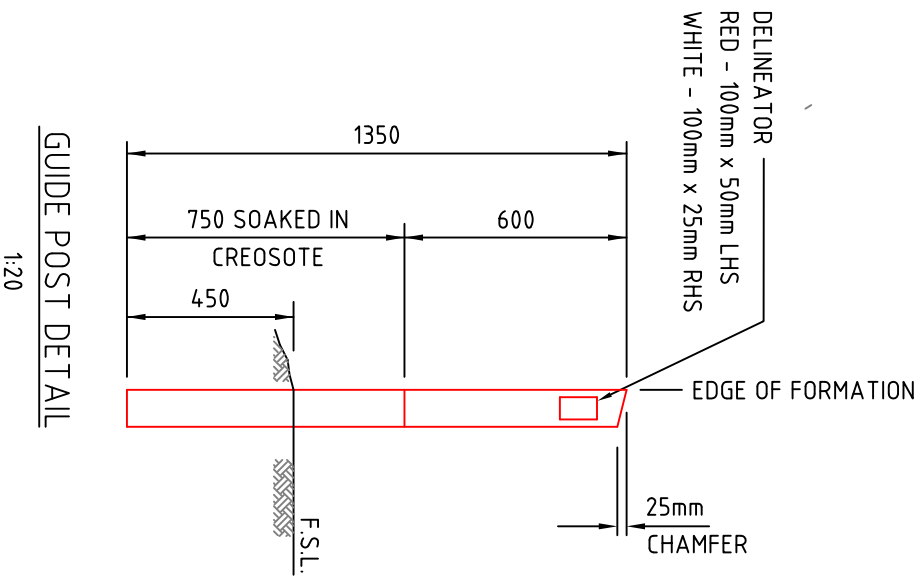
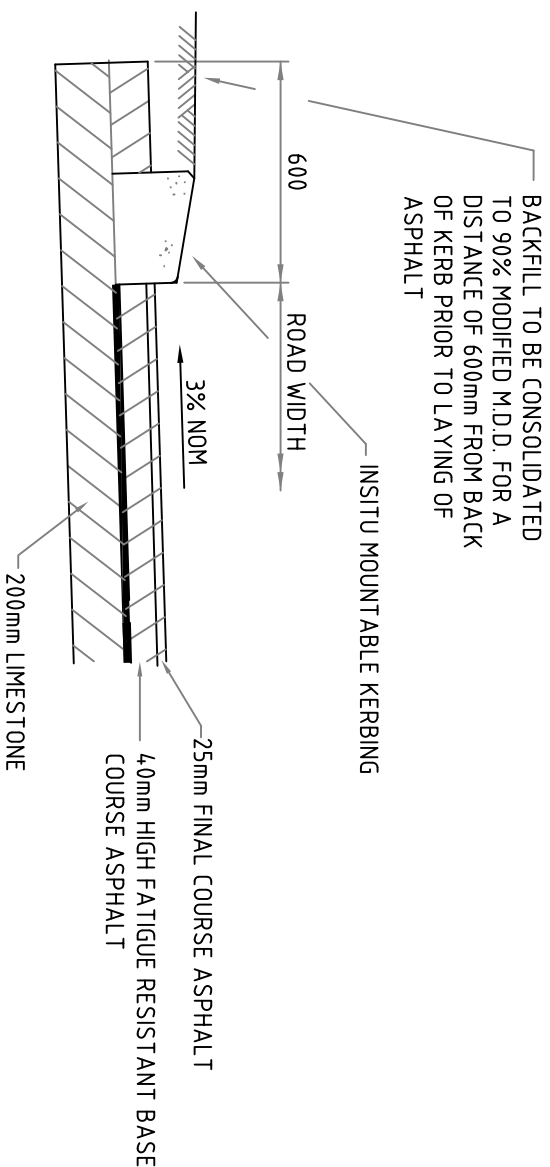


**NOTE**

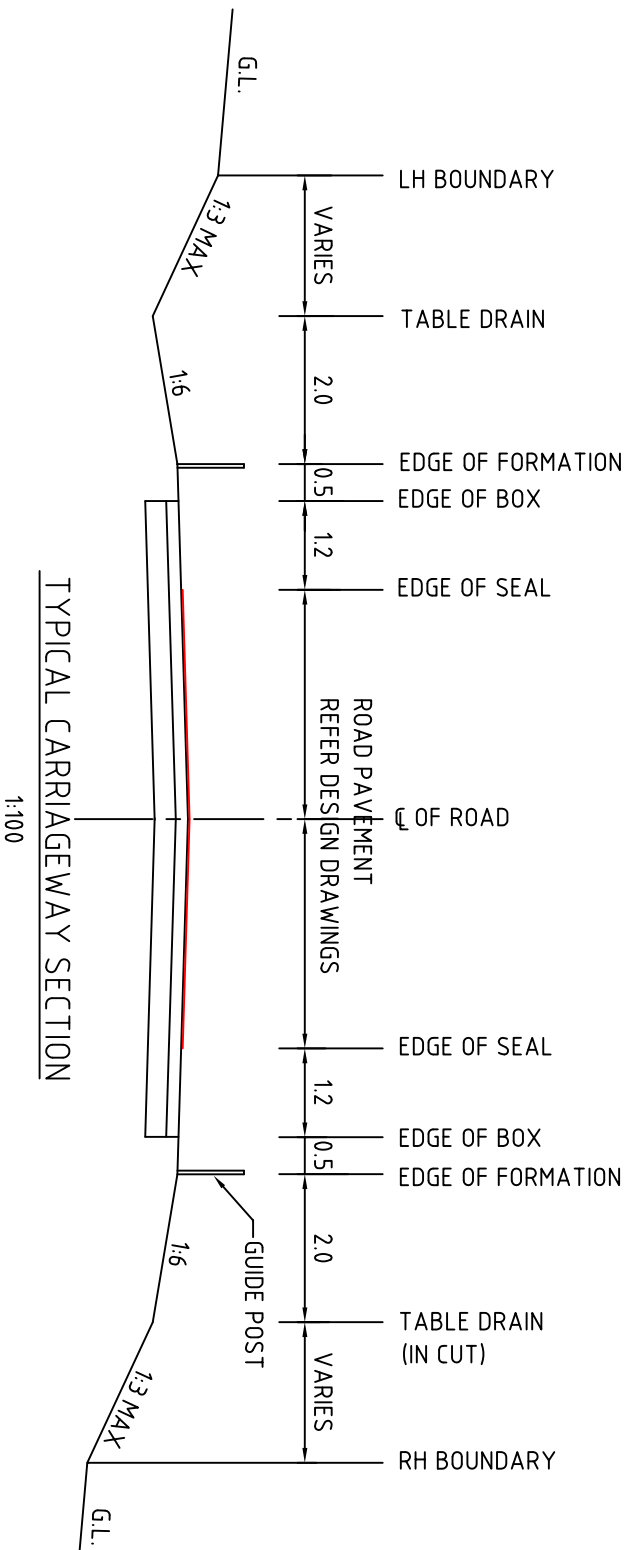
1. THIS PAVEMENT DEPTH IS RECOMMENDED ONLY IN RESIDENTIAL STREETS WITH SAND SUB-GRADES WITH A MINIMUM DEPTH 0M 1m TO THE MAXIMUM WATER TABLE LEVEL
2. IN THE CASE OF SOILS CONTAINING SILTS, CLAYS, PEAT OR IN CASES CLOSER THAN 1m TO THE MAXIMUM WATER TABLE, SPECIFIC PAVEMENT DESIGNS SHOULD BE UNDERTAKEN IN LINE WITH STANDARDS AUSTRALIA/AUSTROADS PAVEMENT DESIGN MANUAL OR APRG REPORT No 21, A GUIDE TO THE DESIGN OF NEW PAVEMENTS FOR LIGHT TRAFFIC AS APPLICABLE
3. WHERE THE ROAD CARRIES TRAFFIC GREATER THAN 1x10<sup>6</sup> EQUIVALENT STANDARD AXLES OVER A 20 YEAR DESIGN LIFE, THE PAVEMENT PROFILE SHOULD BE SUBJECT TO SPECIFIC DESIGN.



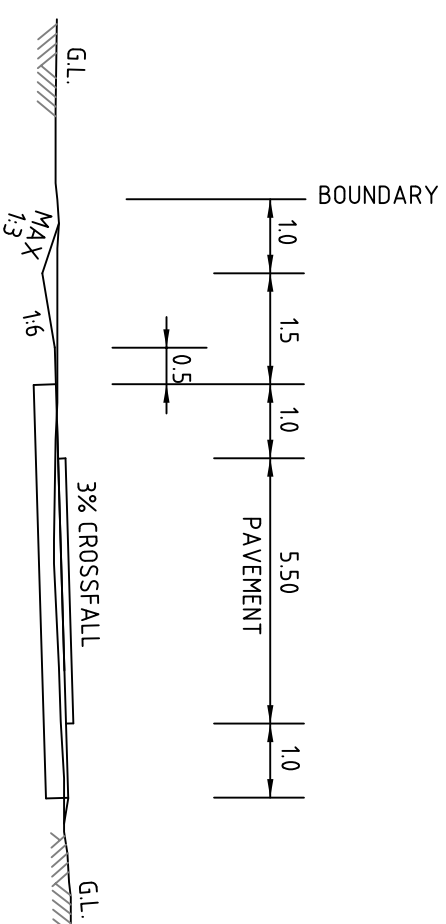
GUIDE POST DETAIL  
1:20



TYPICAL PAVEMENT DETAIL  
1:20



TYPICAL CARRIAGEWAY SECTION  
1:100



ACCESS ROAD CROSS SECTION  
1:100

- NOTES:**
1. POSTS TO BE LIGHTLY DRESSED WANDOO 100 x 50 OR AS APPROVED.
  2. THE TOP 600mm TO BE PAINTED WHITE WITH A RED DELINEATOR FACING THE LEFT SIDE & A WHITE DELINEATOR FACING THE RIGHT SIDE.

**3. SPACING OF GUIDE POSTS**

RADIUS	OUTSIDE CURVE	INSIDE CURVE
<100	6	12
100-200	10	20
STRAIGHTS	150	150

- a. AT ALL HEAD WALLS
- b. AT START AND END OF KERBING
- c. AT CRESTS - AT LEAST 2 PAIRS OF DELINEATORS ARE VISIBLE AT ALL TIMES TO A DRIVER. NOT INCLUDING POSTS WHICH ARE LESS THAN 40m AHEAD OF THE DRIVER.
- d. POSTS SHOULD COMPLY GENERALLY WITH A.S. 1742.2-1986 & THE SPECIFICATION.

**CITY OF COCKBURN**  
9 COLEVILLE CRESCENT, SPEARWOOD WA 6163  
PHONE: (08) 9411 3444 FAX: (08) 9411 3416

**ROADWORKS**  
UNKERBED ROAD DETAILS

**STANDARD DETAILS**

DESIGNED	GHD	APPROVED	SCALE AS SHOWN	JOB No
DRAWN	KMF/SYC	DATE	DWG No	SHEET No
CHECKED	KR		2423B03	04
				REV B