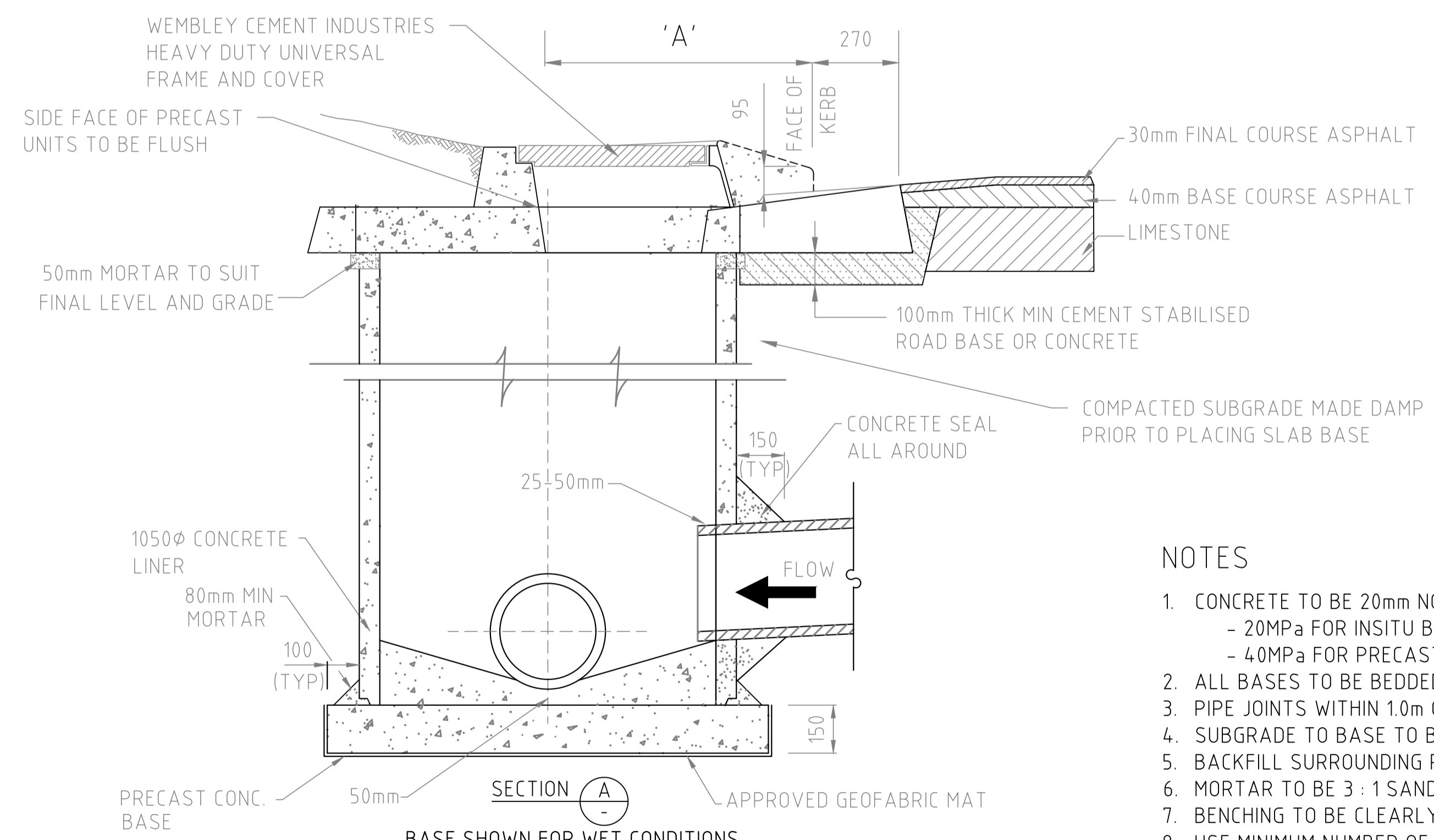
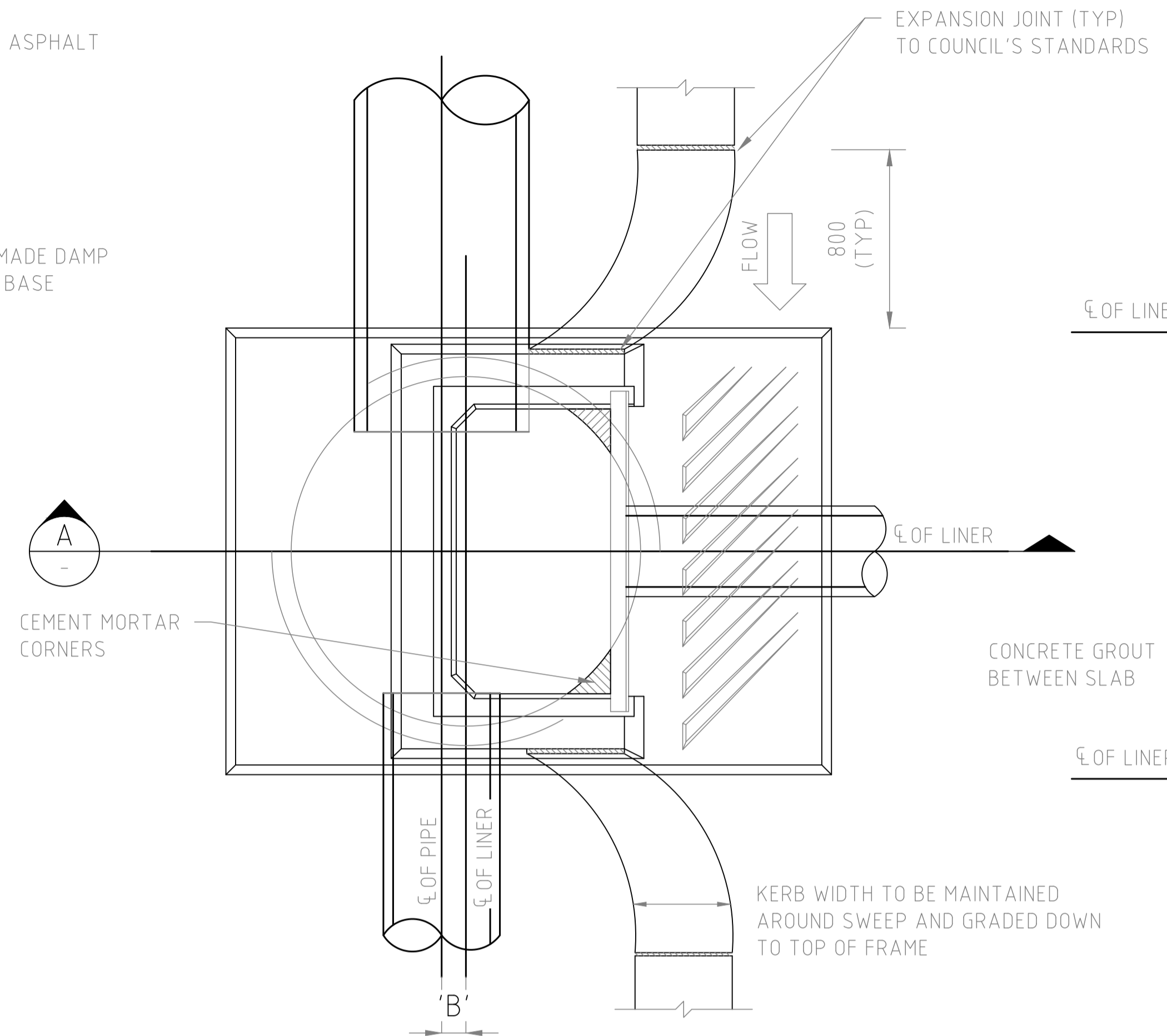


SECTION A
BASE SHOWN FOR DRY CONDITIONS
(BASE IS MORE THAN 500mm ABOVE AAMGL)

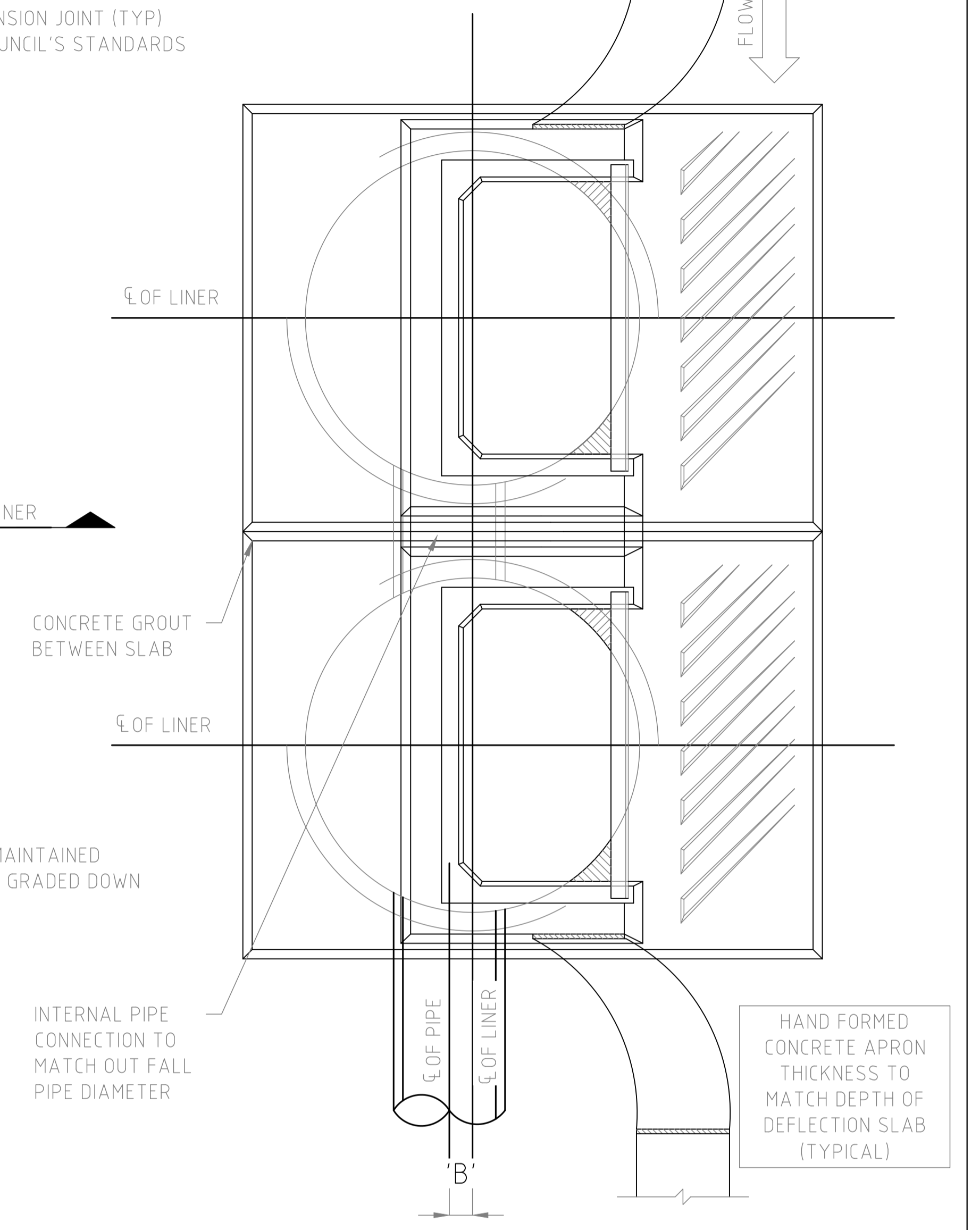


SECTION A
BASE SHOWN FOR WET CONDITIONS
(BASE IS LESS THAN 500mm ABOVE AAMGL)



SINGLE SIDE ENTRY PIT DETAIL (SEP)
PLAN

NOTE: AT LOW POINTS USE WEMBLEY CEMENT INDUSTRIES LOW POINT APRON



DOUBLE SIDE ENTRY PIT DETAIL (SEP)
PLAN

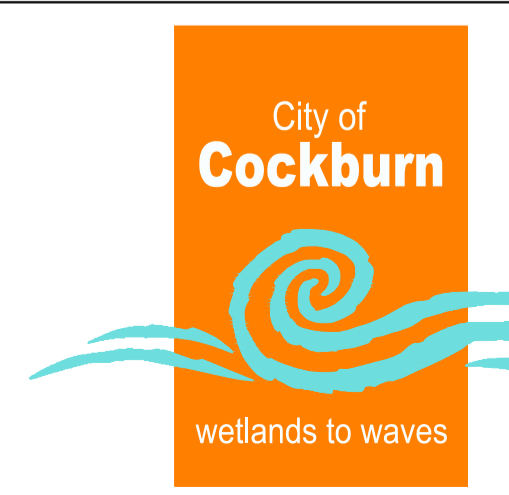
NOTES

1. CONCRETE TO BE 20mm NOMINAL AGGREGATE AND HAVE A MINIMUM COMPRESSIVE STRENGTH AT 28 DAYS OF;
 - 20MPa FOR INSITU BASE
 - 40MPa FOR PRECAST UNITS
2. ALL BASES TO BE BEDDED ON FIRM NATURAL OR COMPACTED SAND
3. PIPE JOINTS WITHIN 1.0m OF PIT TO BE SEALED
4. SUBGRADE TO BASE TO BE COMPACTED TO 95% M.M.D.D. PRIOR TO PLACING OF BASE
5. BACKFILL SURROUNDING PIT TO BE TO 95% M.M.D.D.
6. MORTAR TO BE 3 : 1 SAND : CEMENT MIXTURE
7. BENCHING TO BE CLEARLY VISIBLE FROM TOP OF PIT AT THE TIME OF INSPECTION.
8. USE MINIMUM NUMBER OF LINERS AND MAX OF ONE SPACER RING (100 - 150mm). ANYTHING BELOW 100mm, USE BRICK MORTAR.

TABLE -A

PIPE SIZE	CHAMBER/LINER	'A'	'B'
Ø300 - Ø450	Ø1050	830	70
Ø525 - Ø675	Ø1200	900	0

No.	Revision-	Chk'd	App'd	Date
H	UPDATED WEARING COURSE THICKNESS			18/03/24
G	UPDATED PIPE DETAILS WITHIN PITS/NOTES			07/09/23
F				15/03/23
E	UPDATED			12/02/21
D				03/12/20



CITY OF COCKBURN
9 COLEVILLE CRESCENT,
SPEARWOOD WA 6163
PHONE: (08) 9411 3444
STANDARD DETAILS

DESIGNED		APPROVED		SCALE AS SHOWN		JOB No	
NS							
DRAWN		DATE		DWG No		SHEET No	
NS				2423B03	09		
CHECKED						REV H	