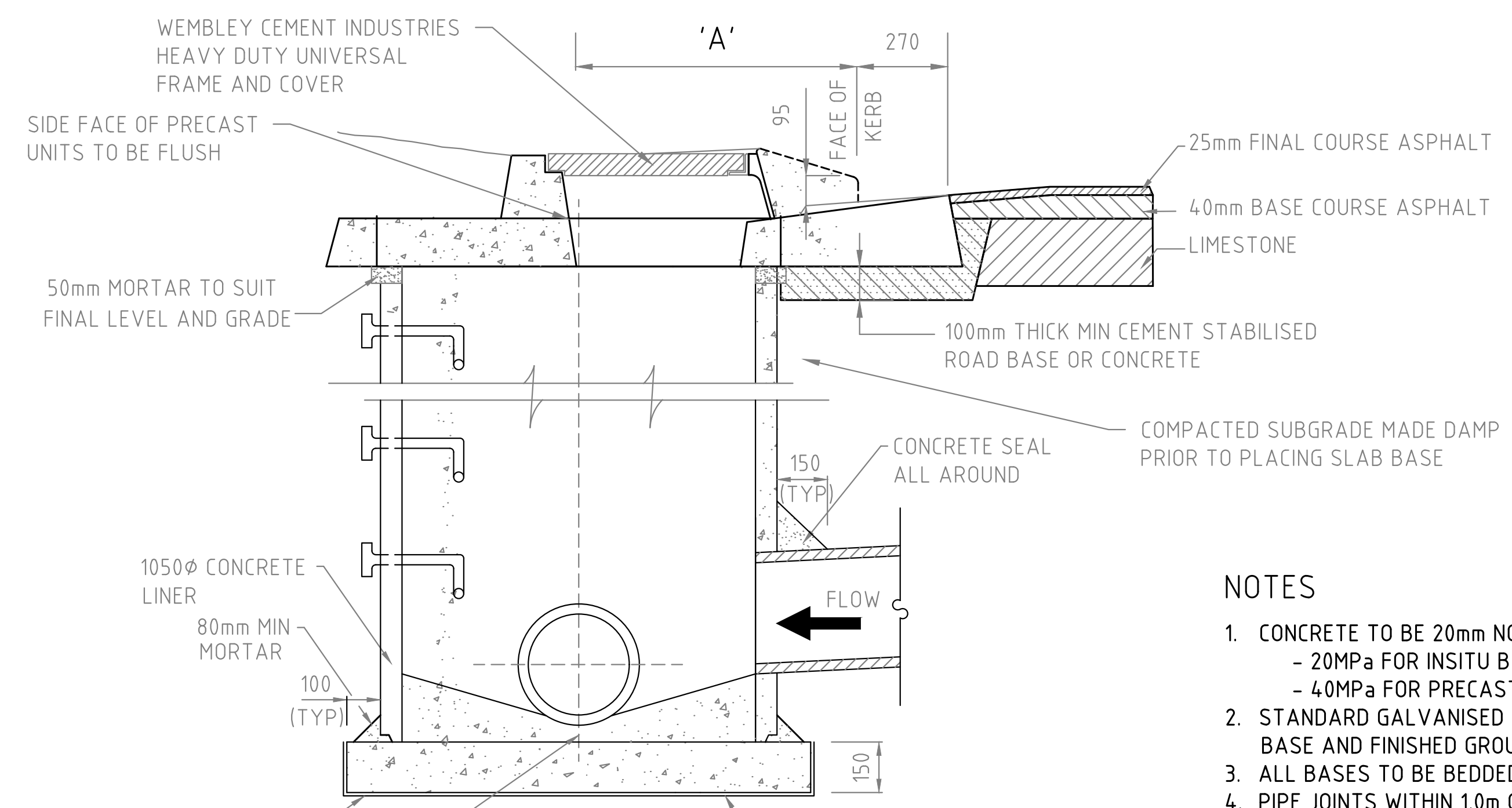
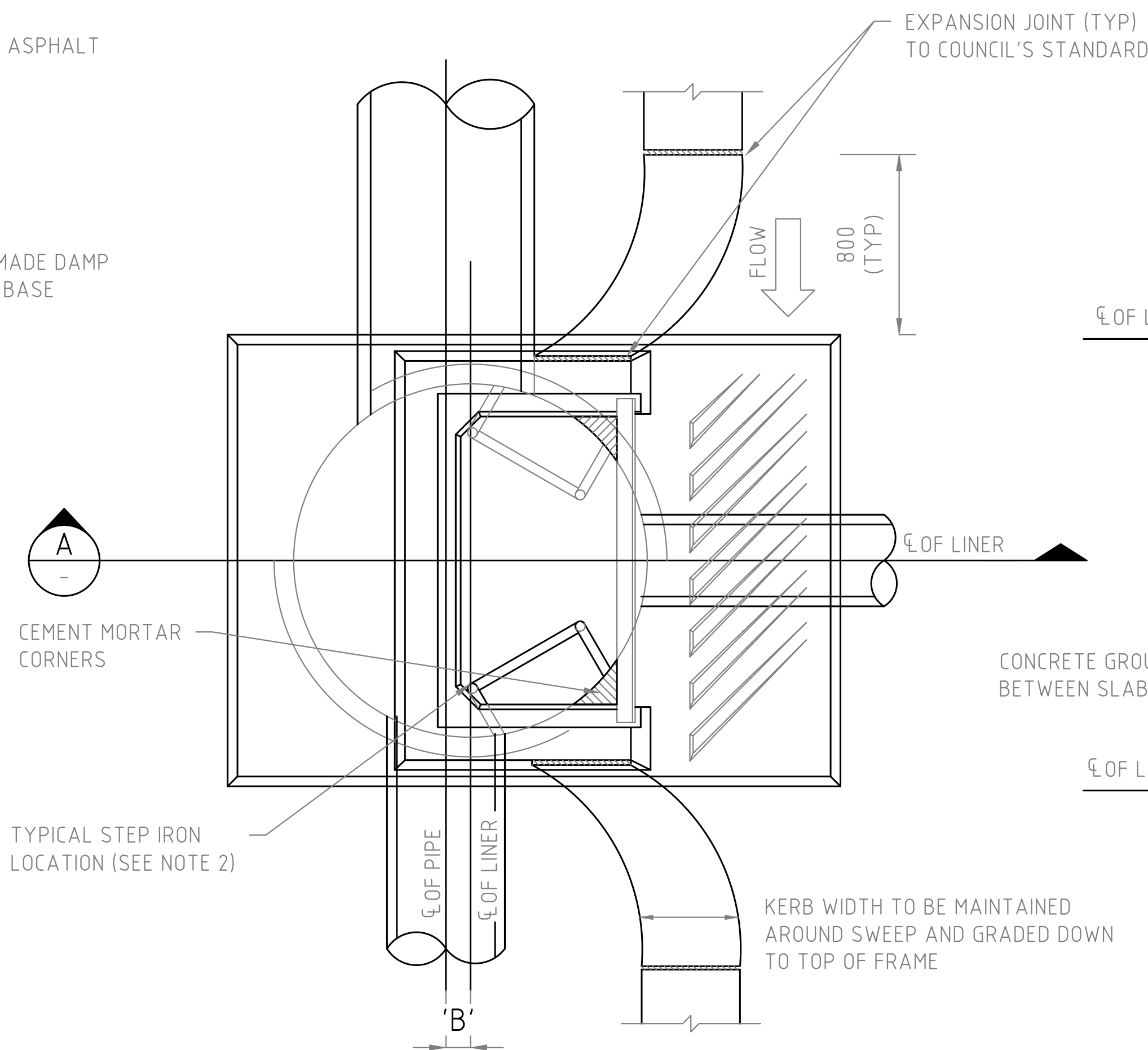


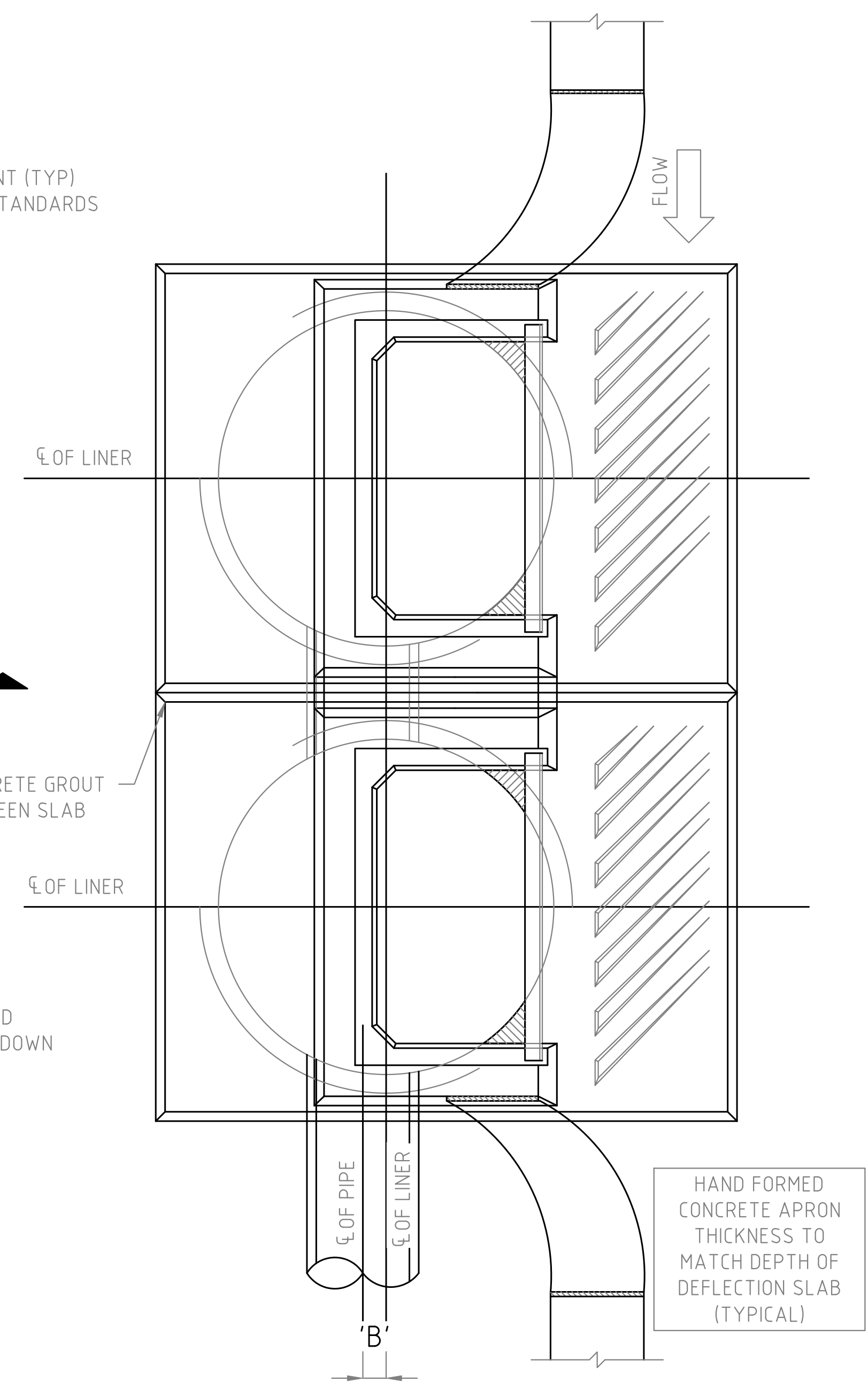
SECTION A  
BASE SHOWN FOR DRY CONDITIONS  
(BASE IS MORE THAN 500mm ABOVE AAMGL)



SECTION A  
BASE SHOWN FOR WET CONDITIONS  
(BASE IS LESS THAN 500mm ABOVE AAMGL)



SINGLE SIDE ENTRY PIT DETAIL (SEP)  
PLAN



DOUBLE SIDE ENTRY PIT DETAIL (SEP)  
PLAN

NOTES

1. CONCRETE TO BE 20mm NOMINAL AGGREGATE AND HAVE A MINIMUM COMPRESSIVE STRENGTH AT 28 DAYS OF:
  - 20MPa FOR INSITU BASE
  - 40MPa FOR PRECAST UNITS
2. STANDARD GALVANISED STEP IRONS TO BE INSTALLED IN PITS WHEN THE DISTANCE BETWEEN THE BASE AND FINISHED GROUND LEVEL EXCEEDS 1000mm
3. ALL BASES TO BE BEDDED ON FIRM NATURAL OR COMPACTED SAND
4. PIPE JOINTS WITHIN 1.0m OF PIT TO BE SEALED
5. SUBGRADE TO BASE TO BE COMPACTED TO 95% M.M.D.D. PRIOR TO PLACING OF BASE
6. BACKFILL SURROUNDING PIT TO BE TO 95% M.M.D.D.
7. MORTAR TO BE 3 : 1 SAND : CEMENT MIXTURE
8. BENCHING TO BE CLEARLY VISIBLE FROM TOP OF PIT AT THE TIME OF INSPECTION.

TABLE -A

PIPE SIZE	CHAMBER/LINER	'A'	'B'
φ300 - φ450	φ1050	830	70
φ525 - φ675	φ1200	900	0

No.	Revision-	Chk'd	App'd	Date
E				12/02/21
D				03/12/20
C				31/08/18
B				9/11/07
A				21/8/03



CITY OF COCKBURN  
9 COLEVILLE CRESCENT,  
SPEARWOOD WA 6163  
PHONE: (08) 9411 3444  
STANDARD DETAILS

DESIGNED		APPROVED		SCALE	JOB No
NS				AS SHOWN	
DRAWN		DATE		DWG No	SHEET No
NS				2423B03	09
CHECKED					REV
					E