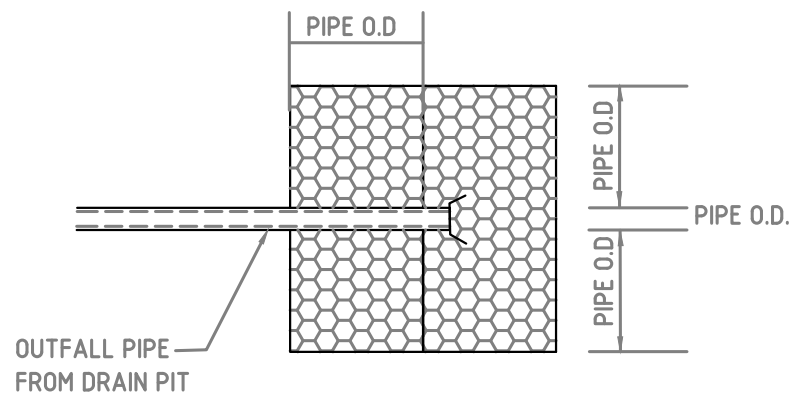
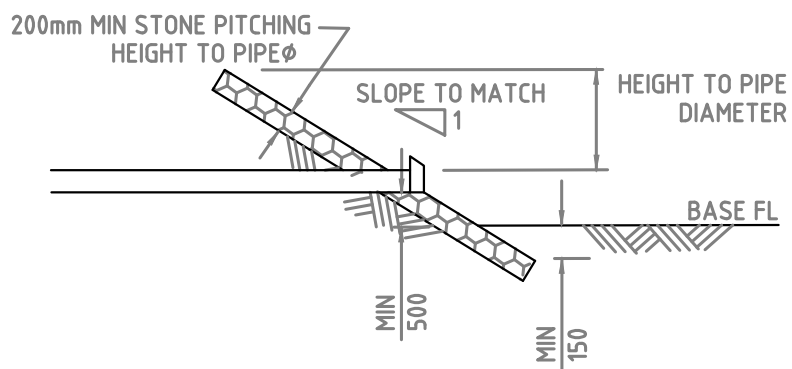


TYPICAL SECTION THROUGH SUMP



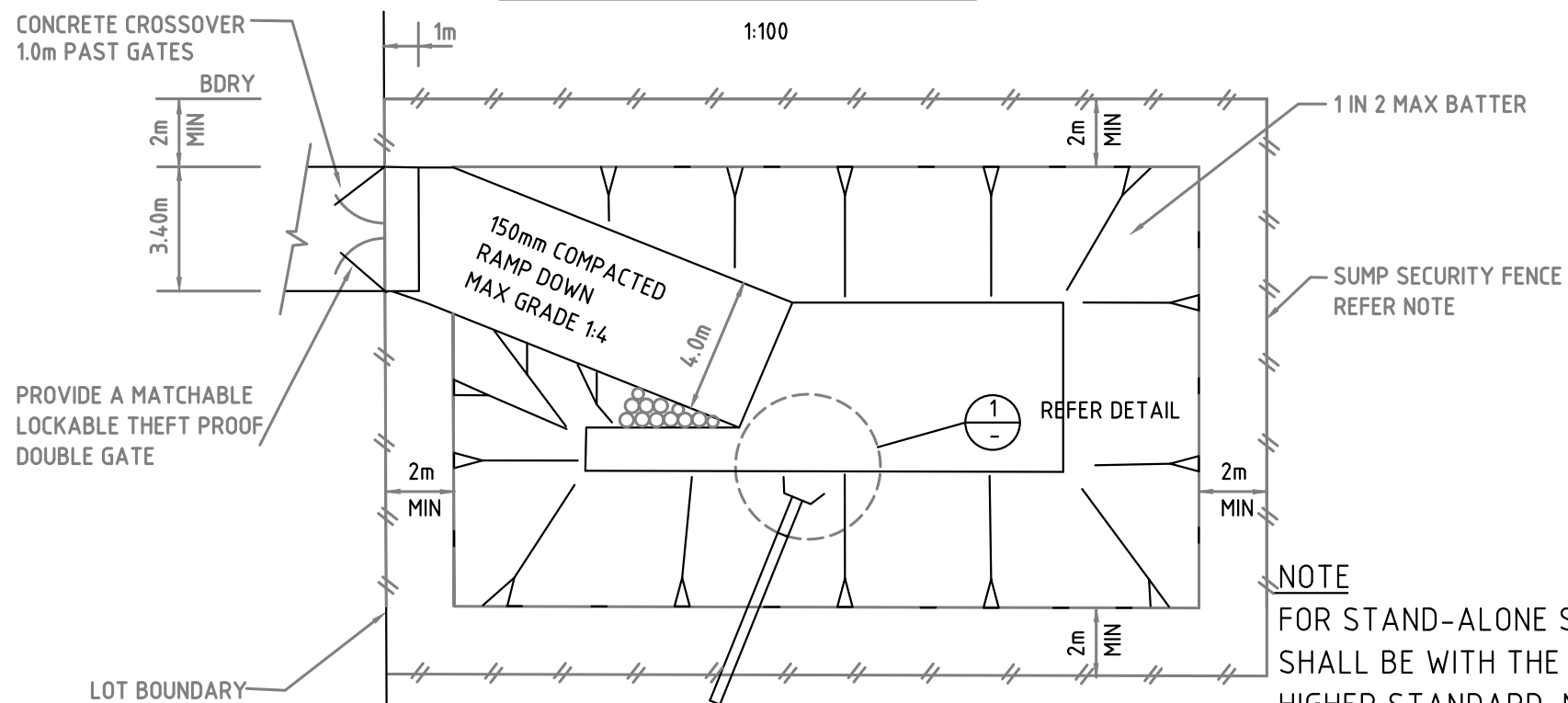
SUMP OUTFALL APRON PLAN N.T.S.



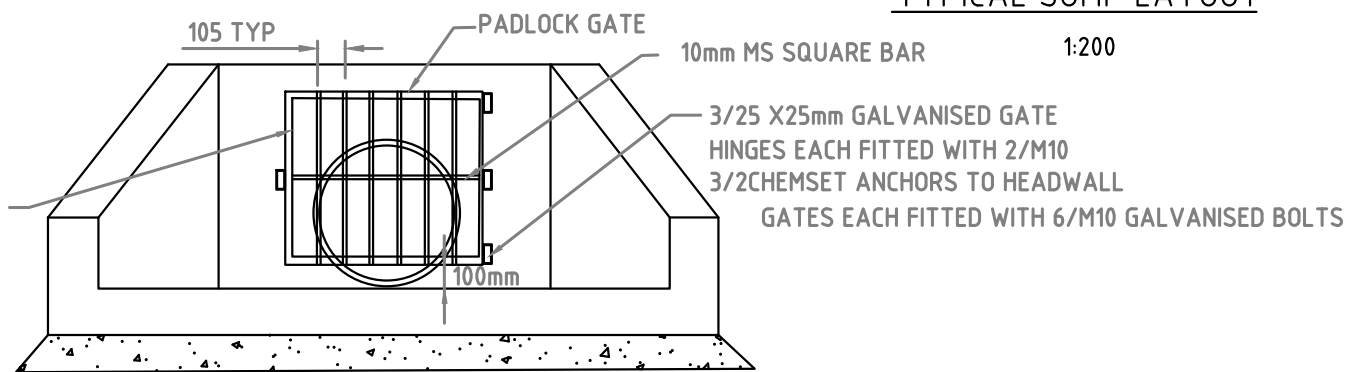
OUTLETS CLOSE TO OPPOSITE BANK SHALL HAVE STONE PITCHING TO WIDTH = 3x PIPEφ & HEIGHT TO PIPEφ

25X25X3mm M.S ANGLE WELDED FRAME WITH 10X 10mm M.S SQUARE BARS. GATES TO BE HOT-DIPPED GALVANISED AFTER FABRICATION

HEADWALL DETAILS 1 N.T.S.

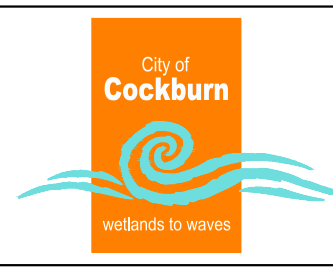


TYPICAL SUMP LAYOUT



NOTE  
FOR STAND-ALONE SUMPS FENCING SHALL BE WITH THE SAME OR HIGHER STANDARD, MATERIALS AS THOSE USED IN THE SUBDIVISION PERIMETER FENCING OR, AS A MINIMUM STANDARD, COLOURBOND METAL DECK 1.8m HIGH (RESIDENTIAL) & CYCLONE (INDUSTRIAL)  
FOR SUMPS INCORPORATED IN PASSIVE RECREATION AREAS THE FENCING SHALL BE ACCEPTABLE TO COUNCIL'S PARKS MANAGER.

D	HEADWALL DETAILS/FENCING DETAILS ADDED	08/09/23
C		31/08/18
B		9/11/07
A		21/8/03
	Chk'd App'd Date	



CITY OF COCKBURN  
9 COLEVILLE CRESCENT,  
SPEARWOOD WA 6163  
PHONE: (08) 9411 3444  
STANDARD DETAILS

Title DRAINAGE TYPICAL DRAINAGE SUMP DETAILS			
DESIGNED	NS	APPROVED	SCALE AS SHOWN
DRAWN	NS	DATE	JOB No
CHECKED			DWG No
			SHEET No
			REV
			2423B03
			14
			D