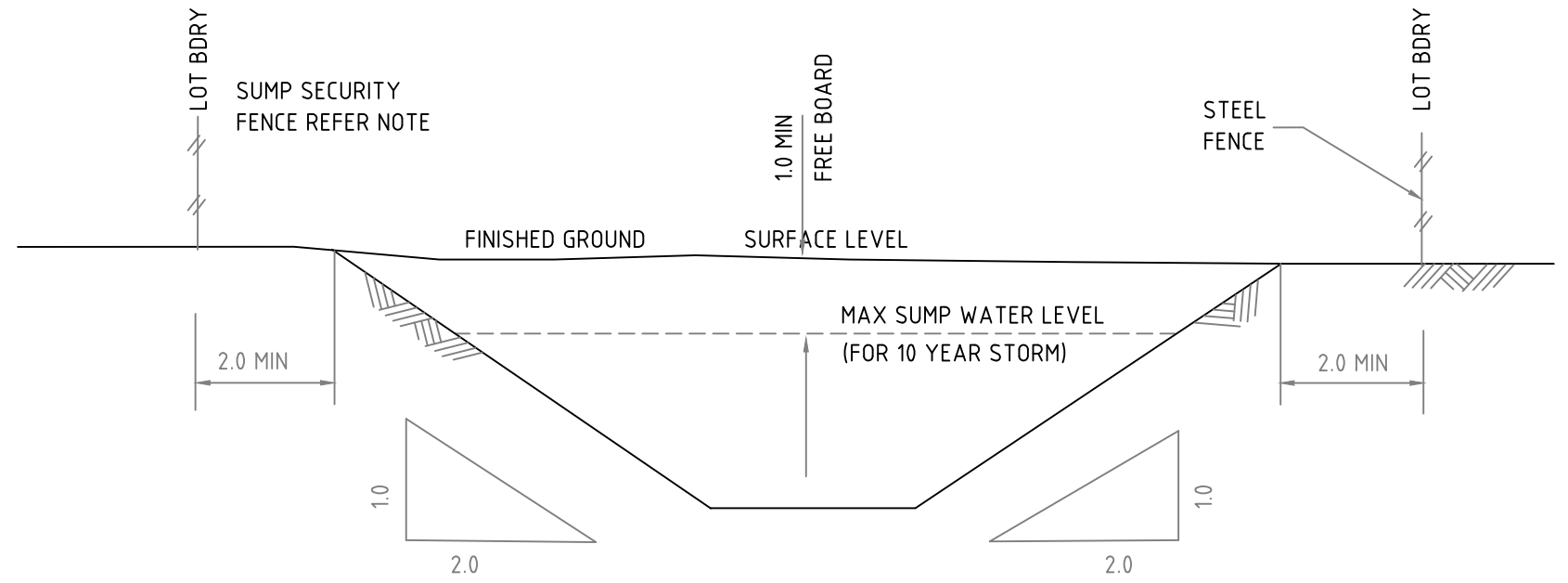


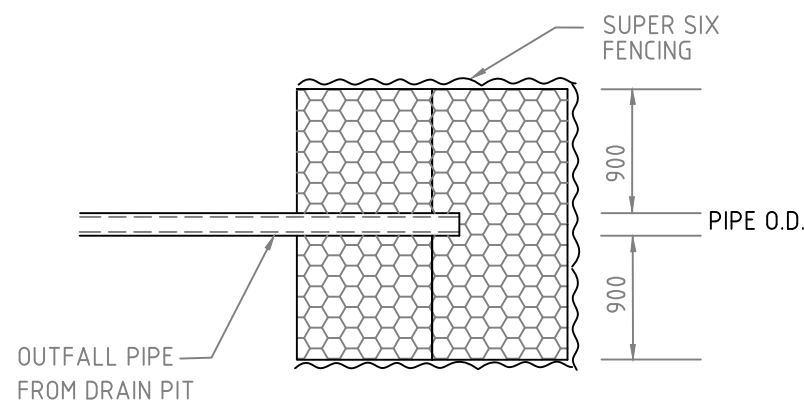
NOTE

FOR STAND-ALONE SUMPS FENCING SHALL BE WITH THE SAME OR HIGHER STANDARD, MATERIALS AS THOSE USED IN THE SUBDIVISION PERIMETER FENCING OR, AS A MINIMUM STANDARD, COLOURBOND METAL DECK 1.8m HIGH.
 FOR SUMPS INCORPORATED IN PASSIVE RECREATION AREAS THE FENCING SHALL BE ACCEPTABLE TO COUNCIL'S PARKS MANAGER.

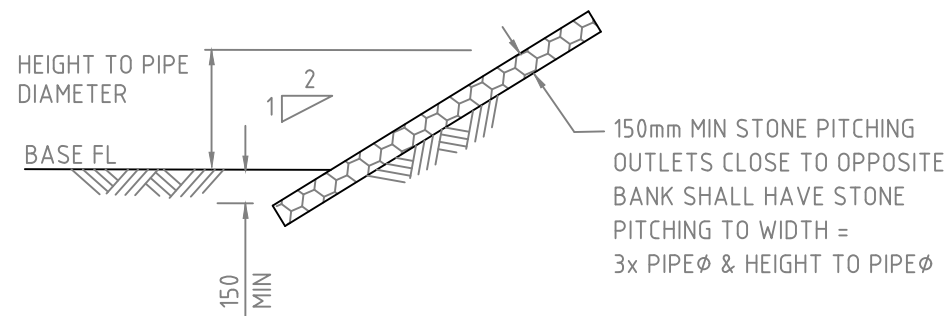


TYPICAL SECTION THROUGH SUMP

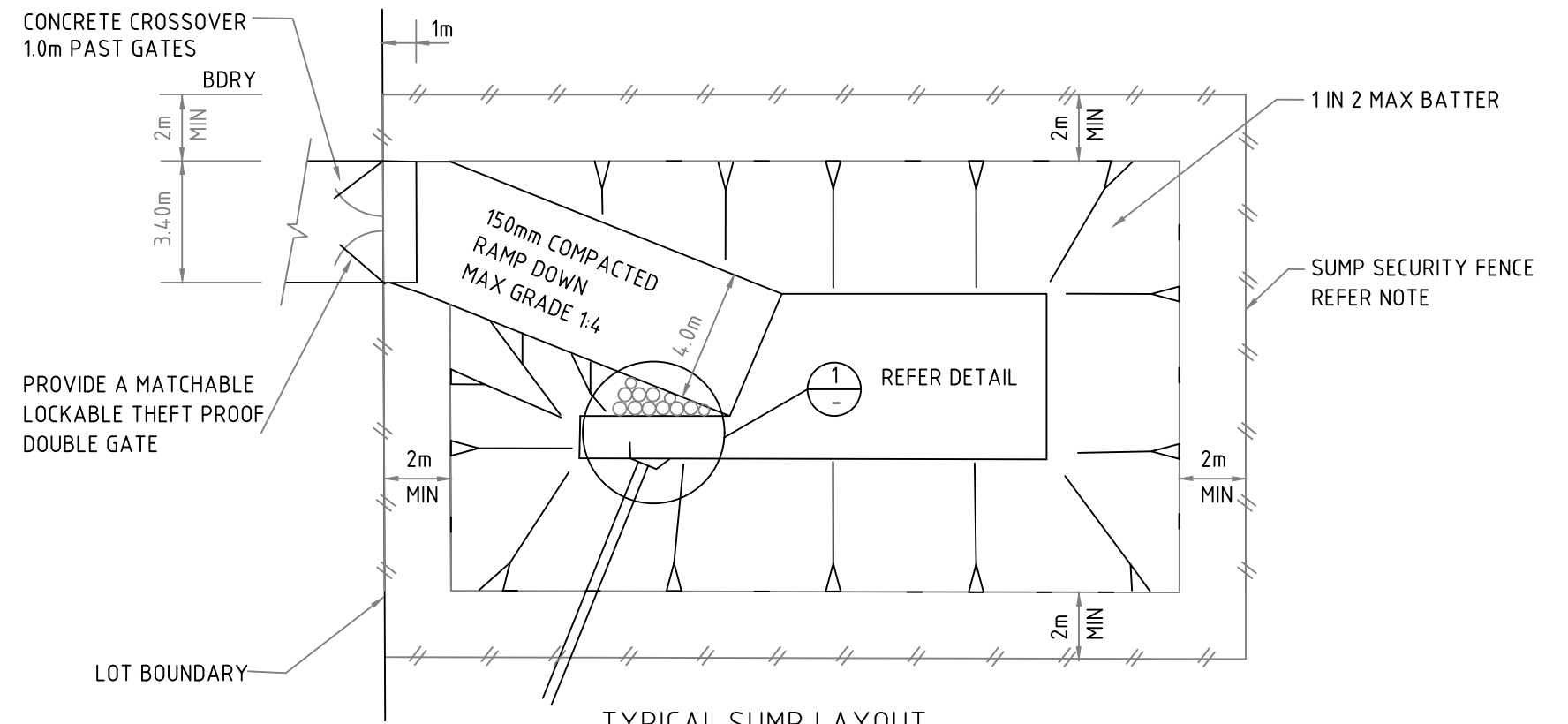
1:100



SUMP OUTFALL APRON PLAN
N.T.S.



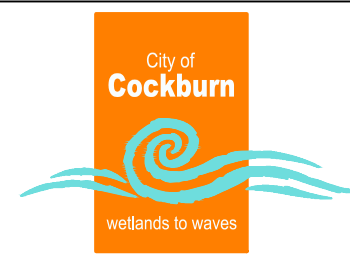
DETAIL 1
N.T.S.



TYPICAL SUMP LAYOUT

1:200

C			31/08/18
B			9/11/07
A			21/8/03
Document Set ID: 6491104			
Version: 2, Version Date: 04/2019			
Chk'd	App'd	Date	



CITY OF COCKBURN
 9 COLEVILLE CRESCENT,
 SPEARWOOD WA 6163
 PHONE: (08) 9411 3444

STANDARD DETAILS

Title			
DRAINAGE			
TYPICAL DRAINAGE SUMP DETAILS			
DESIGNED	NS	APPROVED	SCALE AS SHOWN
DRAWN	NS	DATE	JOB No
CHECKED			DWG No
			SHEET No
			REV
			2423B03
			14
			C