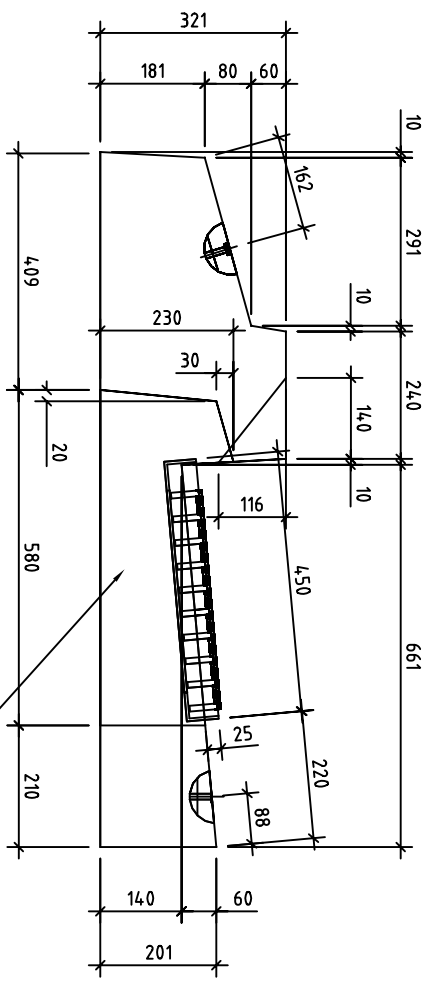


2.5t SWL
SWIFTLIFT
LIFTER
TYP 3 PLACES

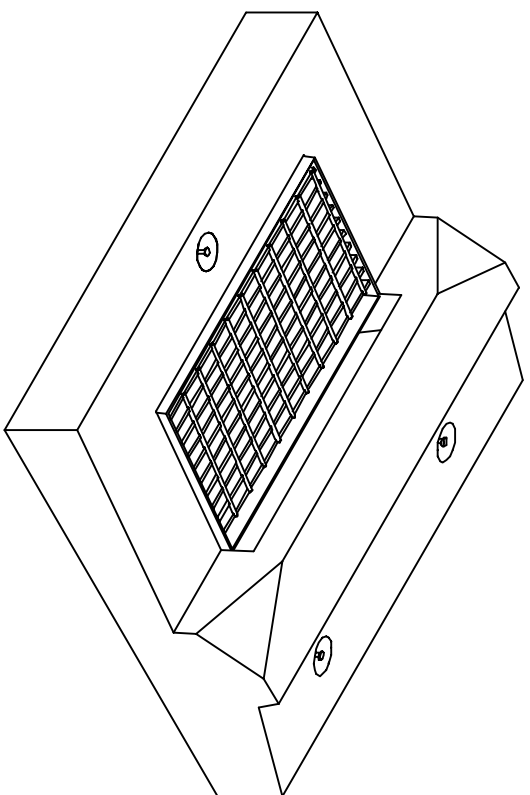
GRATING AND FRAME C/W HINGED BRACKET
AND BICYCLE STRAPS (WHERE REQ'D)
TO BE SUPPLIED BY OTHERS (WEBFORGE)

TOP VIEW



DRAINAGE VOID

SIDE ELEVATION



ISOMETRIC VIEW

MARK	TYSWLK-4
No. OFF	N/A
VOL.	0.258 m ³
WT.	0.620 t
SUR AREA.	4.22 m ²
SURFACE FINISH	#2 MOULD
CONCRETE STRENGTH	32 MPa
CONCRETE GRADE	S32
MAX AGGREGATE	14mm
MAX. SLUMP	80mm
CONCRETE COVER	50mm
DIAGONALS	
A - D	N/A
B - C	N/A
LIFTING LUGS	QTY: 3 OFF
PLAN	ELEVATION

CITY OF COCKBURN
9 COLEVILLE CRESCENT, SPEARWOOD WA 6163
PHONE: (08) 9411 3444 FAX: (08) 9411 3416

STANDARD DETAILS

DRAINAGE
COMBINATION SEP AND GULLY GRATE

DESIGNED: GHD APPROVED: _____
DRAWN: KMF/SYC DATE: _____
CHECKED: KR

SCALE: AS SHOWN JOB No: _____
DWG No: 2423B03 SHEET No: 16 REV: _____

CITY OF COCKBURN WOULD
LIKE TO ACKNOWLEDGE AND
THANK GUTTERIDGHASKINS
& DAVEY PTY. LTD. FOR
THEIR ASSISTANCE IN THE
PRODUCTION OF THESE
STANDARD DETAIL DRAWINGS

No. _____
Revision- _____
Chk'd App'd Date _____