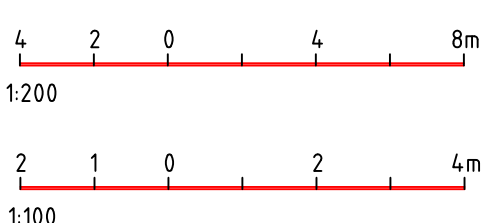
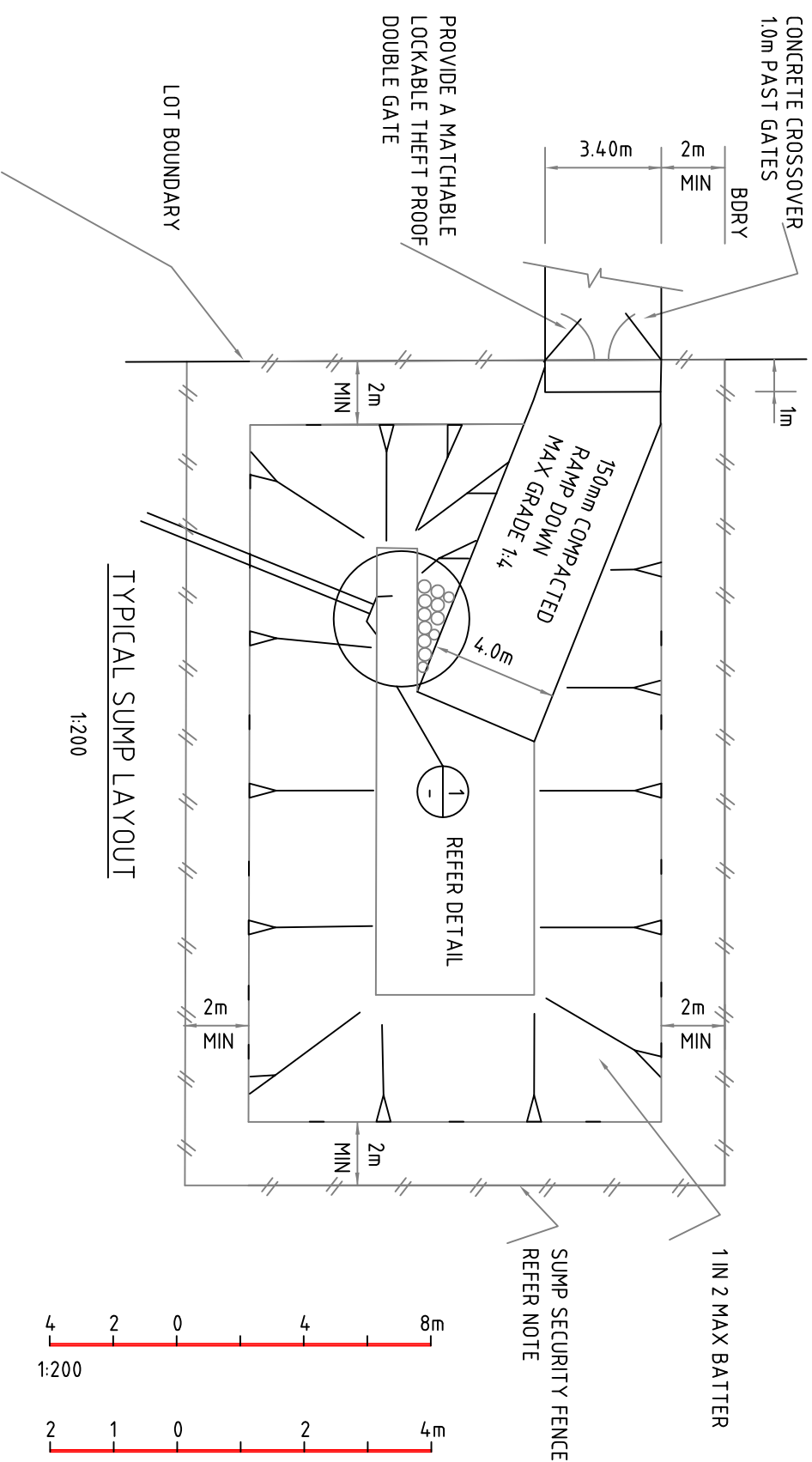
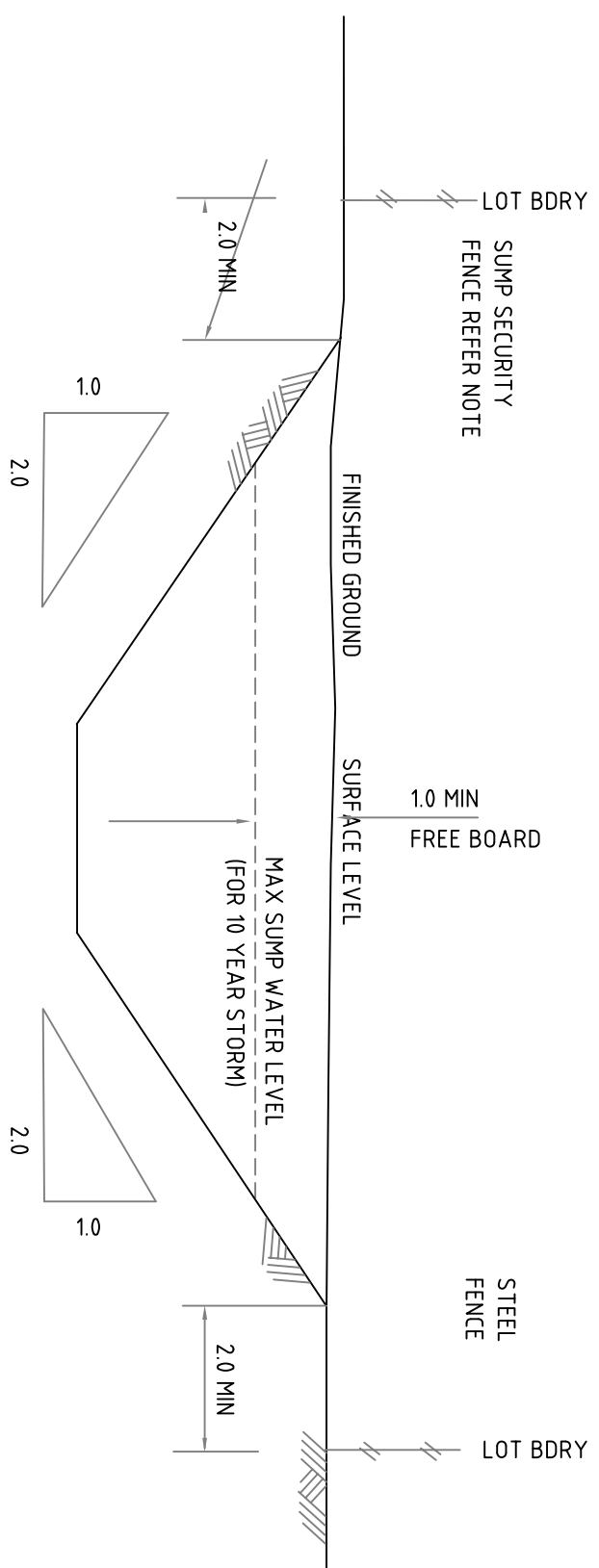
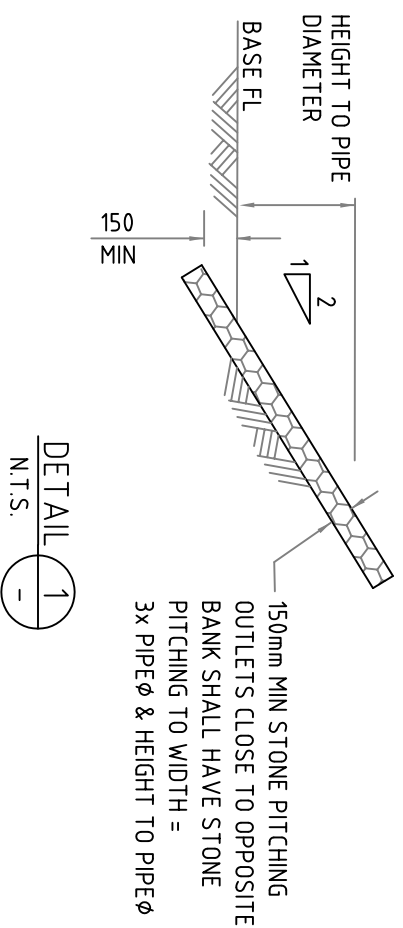
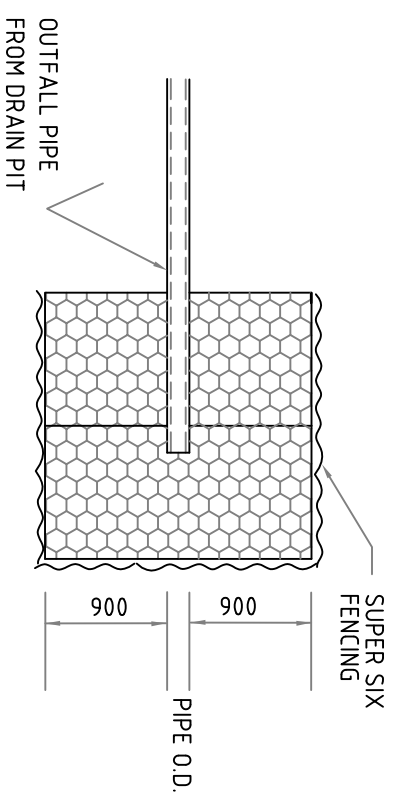


NOTE
 FOR STAND-ALONE SUMPS FENCING SHALL BE WITH THE SAME OR HIGHER STANDARD, MATERIALS AS THOSE USED IN THE SUBDIVISION PERIMETER FENCING OR, AS A MINIMUM STANDARD, COLOURBOND METAL DECK 1.8m HIGH.
 FOR SUMPS INCORPORATED IN PASSIVE RECREATION AREAS THE FENCING SHALL BE ACCEPTABLE TO COUNCIL'S PARKS MANAGER.



CITY OF COCKBURN WOULD LIKE TO ACKNOWLEDGE AND THANK GUTTERIDGEHASKINS & DAVEY PTY. LTD. FOR THEIR ASSISTANCE IN THE PRODUCTION OF THESE STANDARD DETAIL DRAWINGS		CITY OF COCKBURN 9 COLEVILLE CRESCENT, SPEARWOOD WA 6163 PHONE: (08) 9411 3444 FAX: (08) 9411 3416	
DESIGNED	APPROVED	SCALE AS SHOWN	JOB No
DRAWN KMF/SYC	DATE	DWG No	SHEET No
CHECKED	DATE	2423B03	11
REV	REV		