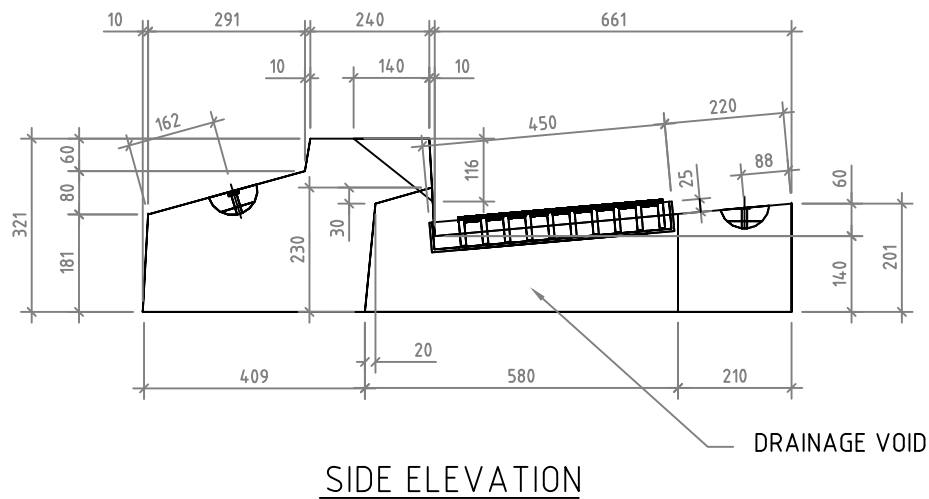
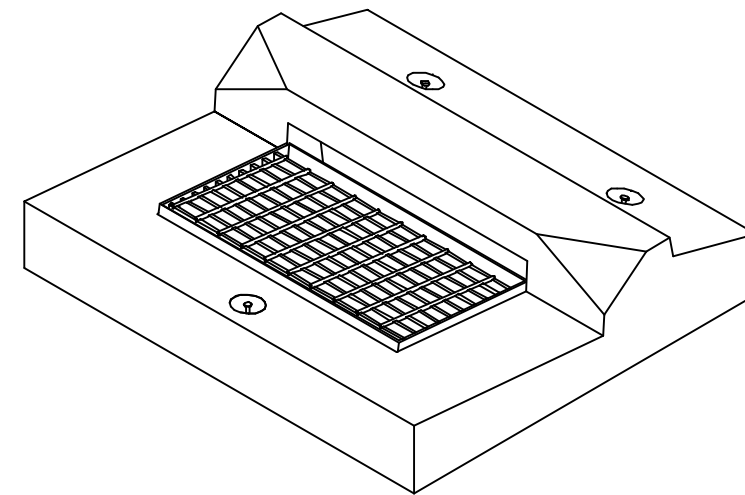




TOP VIEW



SIDE ELEVATION



ISOMETRIC VIEW

MARK	TYSWLK-4
No. OFF	N/A
VOL.	0.258 m ³
WT.	0.620 t
SUR AREA.	4.22 m ²
SURFACE FINISH	#2 MOULD
CONCRETE STRENGTH	32 MPa
CONCRETE GRADE	S32
MAX AGGREGATE	14mm
MAX. SLUMP	80mm
CONCRETE COVER	50mm
DIAGONALS	
A - D	N/A
B - C	N/A
LIFTING LUGS	QTY: 3 OFF
	
PLAN	ELEVATION

c				31/08/18
B				9/11/07
A				21/8/03
Document Set ID: 6491047				
Version: 4, Version Description: 12/2020				
	Chk'd	App'd	Date	



CITY OF COCKBURN
 9 COLEVILLE CRESCENT,
 SPEARWOOD WA 6163
 PHONE: (08) 9411 3444

STANDARD DETAILS

Title				DRAINAGE COMBINATION SEP AND GULLY GRATE			
DESIGNED	NS	APPROVED		SCALE	AS SHOWN	JOB No	
DRAWN	NS	DATE		DWG No	2423B03	SHEET No	11
CHECKED						REV	C