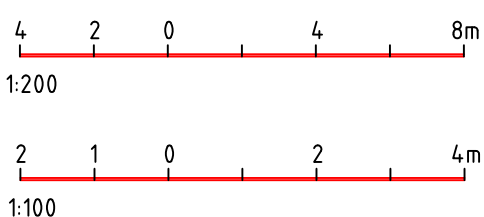
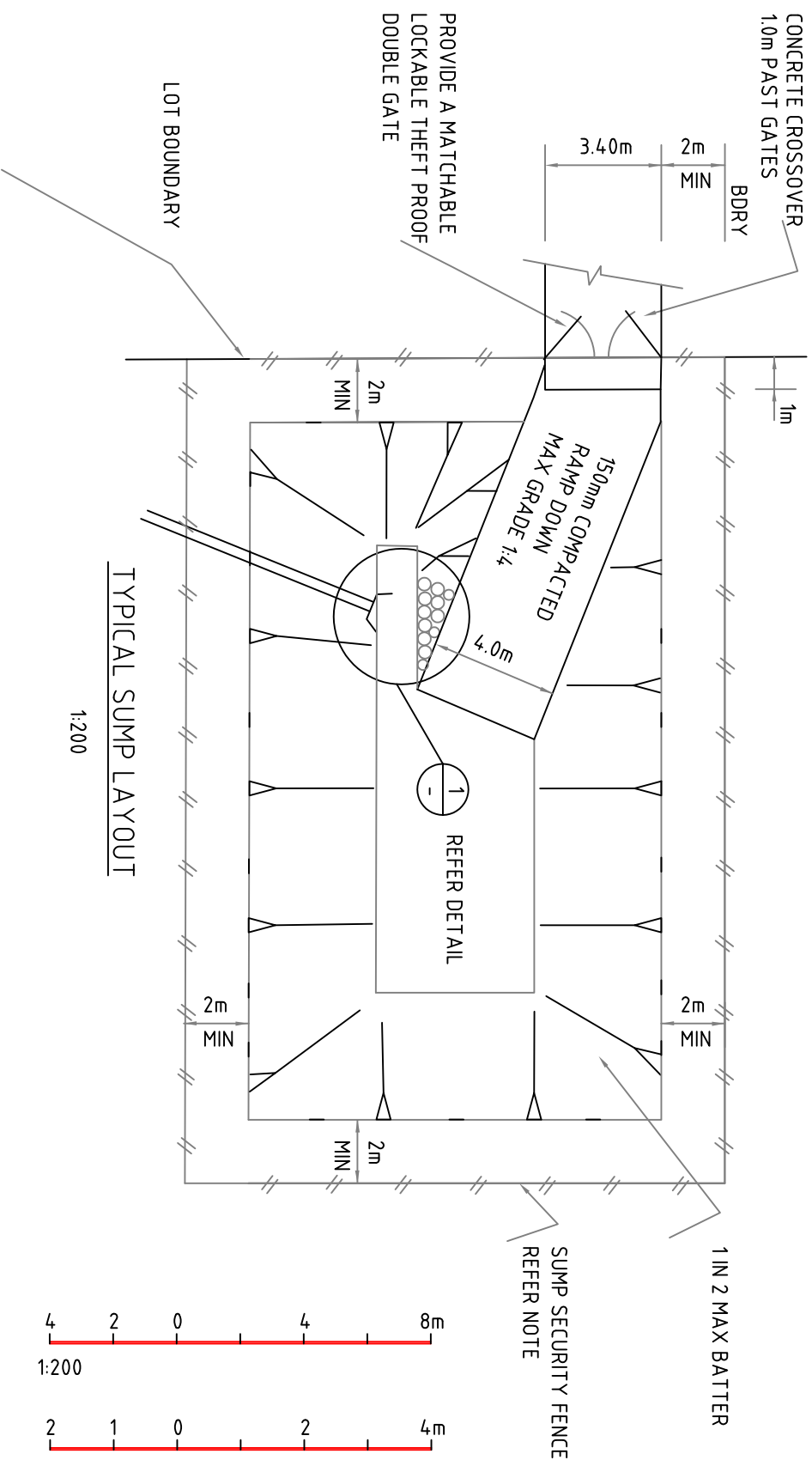
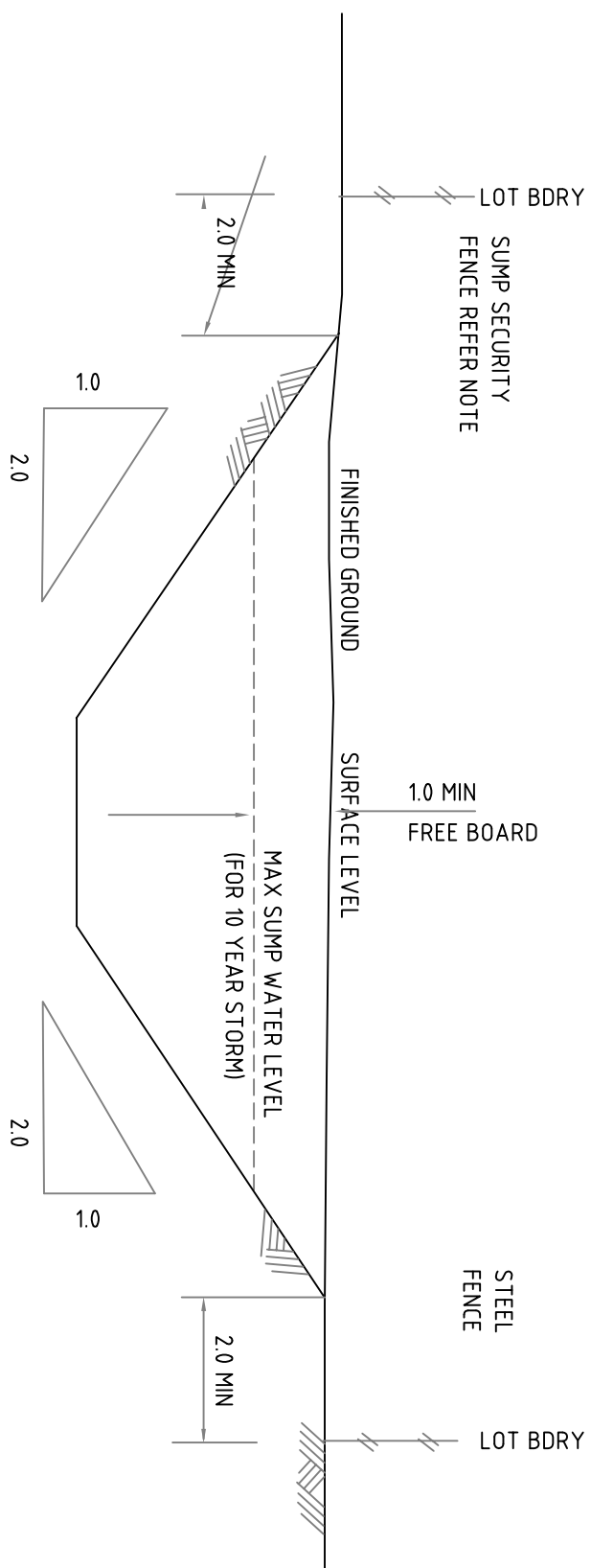
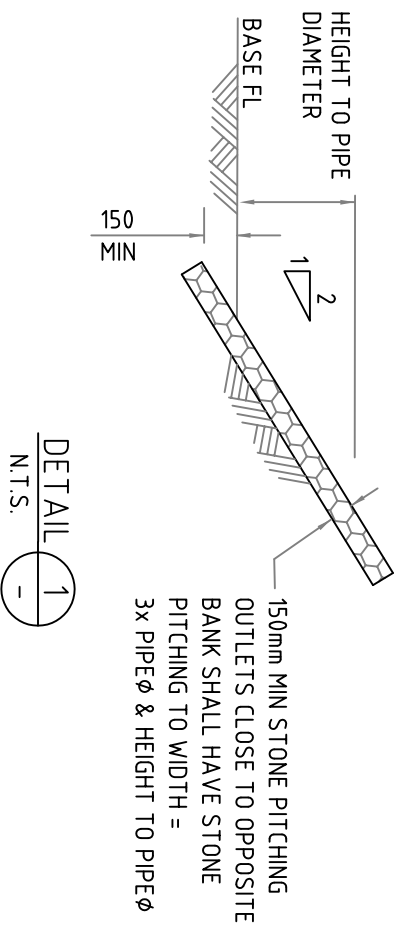
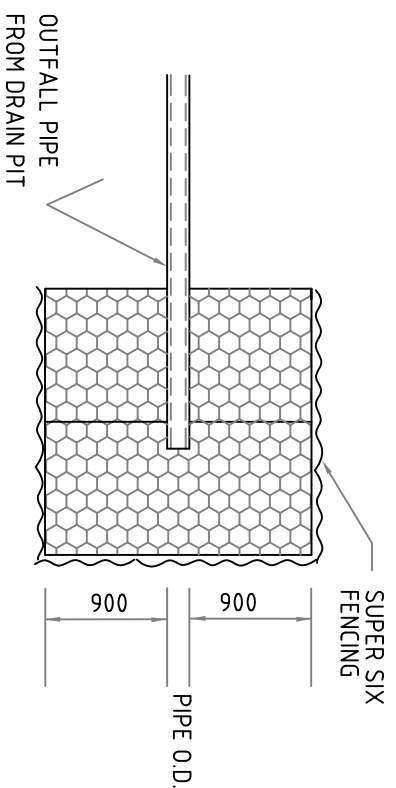


NOTE
 FOR STAND-ALONE SUMPS FENCING SHALL BE WITH THE SAME OR HIGHER STANDARD, MATERIALS AS THOSE USED IN THE SUBDIVISION PERIMETER FENCING OR, AS A MINIMUM STANDARD, COLOURBOND METAL DECK 1.8m HIGH.
 FOR SUMPS INCORPORATED IN PASSIVE RECREATION AREAS THE FENCING SHALL BE ACCEPTABLE TO COUNCIL'S PARKS MANAGER.



CHK'd	App'd	Date
KR	SL	21/8/03
SH	SH	9/11/07

CITY OF COCKBURN WOULD LIKE TO ACKNOWLEDGE AND THANK GUTTERIDGEHASKINS & DAVEY PTY. LTD. FOR THEIR ASSISTANCE IN THE PRODUCTION OF THESE STANDARD DETAIL DRAWINGS

CITY OF COCKBURN
 9 COLEVILLE CRESCENT, SPEARWOOD WA 6163
 PHONE: (08) 9411 3444 FAX: (08) 9411 3416

DESIGNED	APPROVED	SCALE AS SHOWN	JOB No
DRAWN KMF/SYC		2423B03	
CHECKED	DATE	SHEET No	REV
		11	