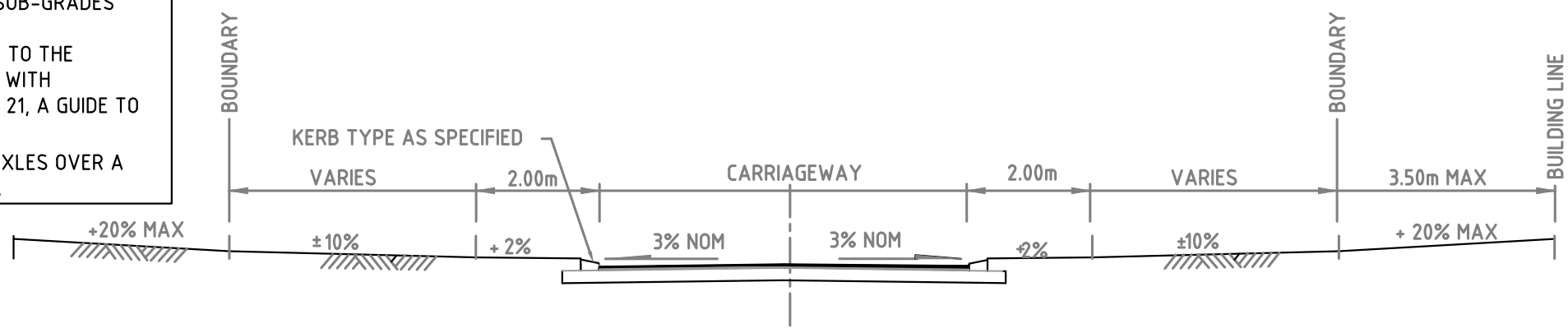
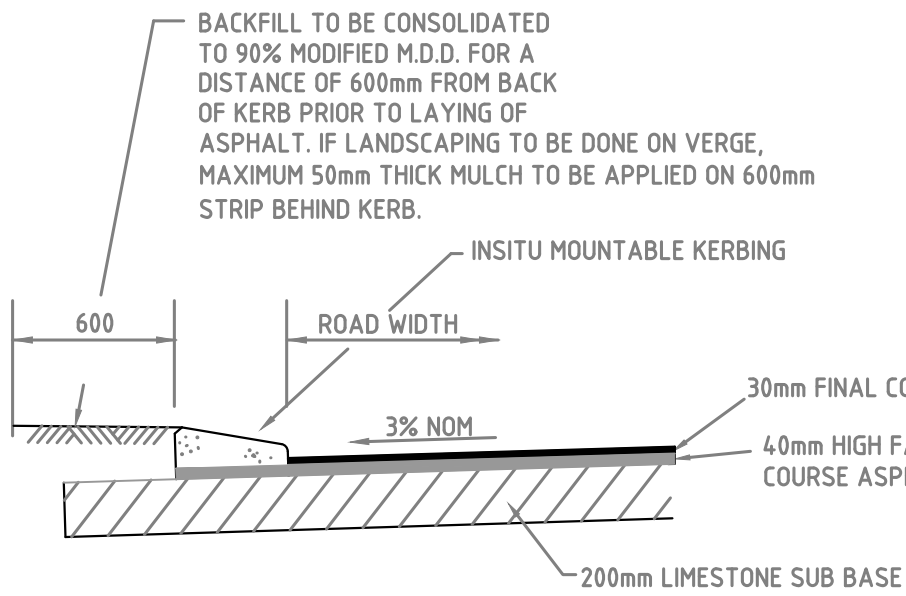


**NOTE**  
 1. THIS PAVEMENT DEPTH IS RECOMMENDED ONLY IN RESIDENTIAL STREETS WITH SAND SUB-GRADES WITH A MINIMUM DEPTH OF 1m TO THE MAXIMUM WATER TABLE LEVEL  
 2. IN THE CASE OF SOILS CONTAINING SILTS, CLAYS, PEAT OR IN CASES CLOSER THAN 1m TO THE MAXIMUM WATER TABLE, SPECIFIC PAVEMENT DESIGNS SHOULD BE UNDERTAKEN IN LINE WITH STANDARDS AUSTRALIA/AUSTROADS PAVEMENT DESIGN MANUAL OR APRG REPORT No 21, A GUIDE TO THE DESIGN OF NEW PAVEMENTS FOR LIGHT TRAFFIC AS APPLICABLE  
 3. WHERE THE ROAD CARRIES TRAFFIC GREATER THAN 1x10<sup>6</sup> EQUIVALENT STANDARD AXLES OVER A 20 YEAR DESIGN LIFE, THE PAVEMENT PROFILE SHOULD BE SUBJECT TO SPECIFIC DESIGN.

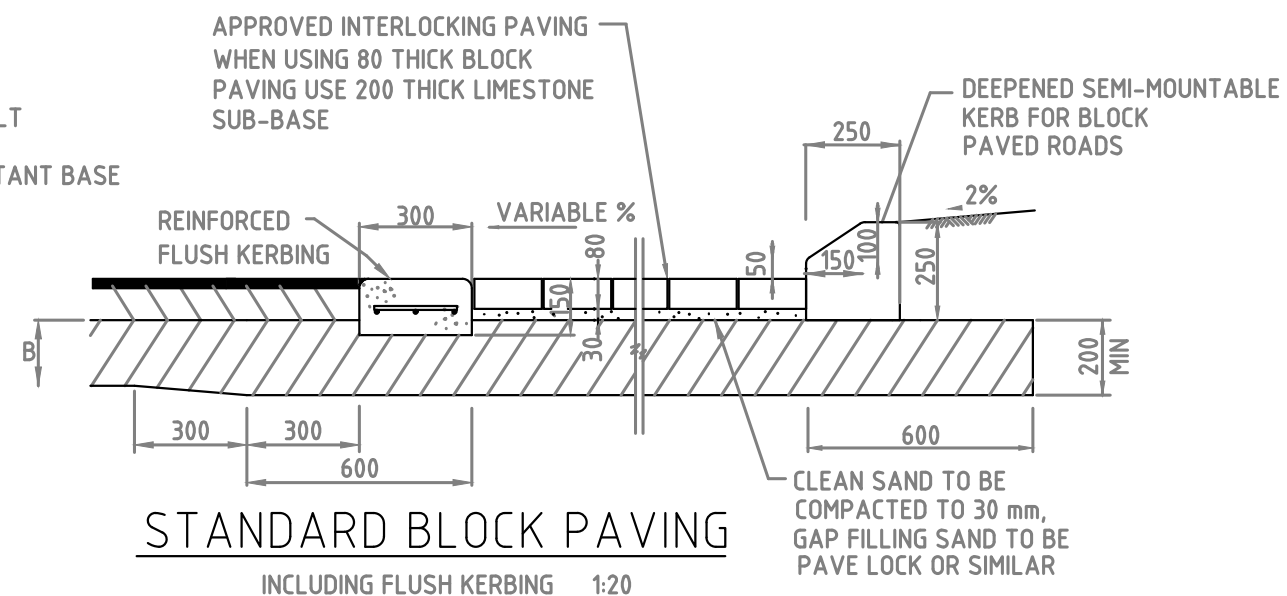


**NOTE: ALL ROADS TO BE SEALED WITH ASPHALT CONTRACTOR TO CHECK WITH ROAD CROSS SECTIONS FOR VERGE TREATMENT CARRIAGEWAY ASPHALT ± 3mm, Nom. 10mm MIX**

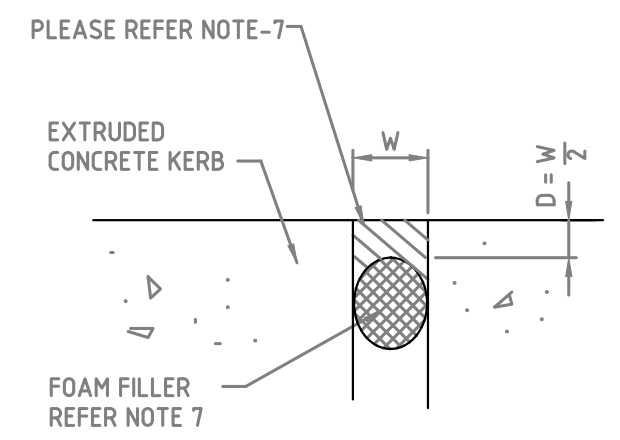


**TYPICAL PAVEMENT DETAIL**  
1:20

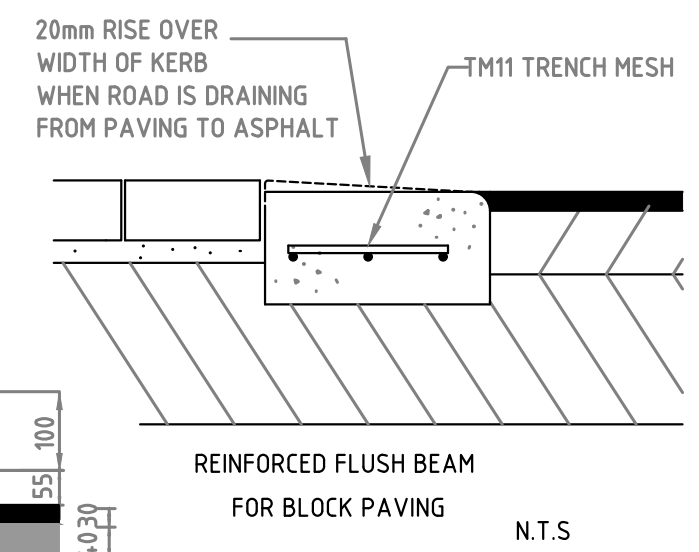
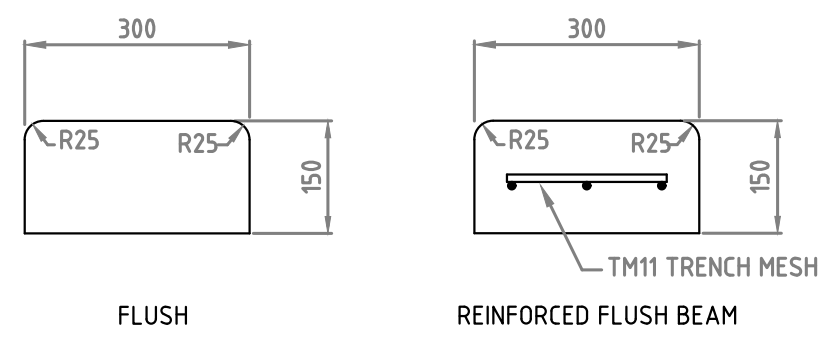
**TYPICAL CARRIAGEWAY SECTION**  
1:100



**STANDARD BLOCK PAVING**  
INCLUDING FLUSH KERBING 1:20

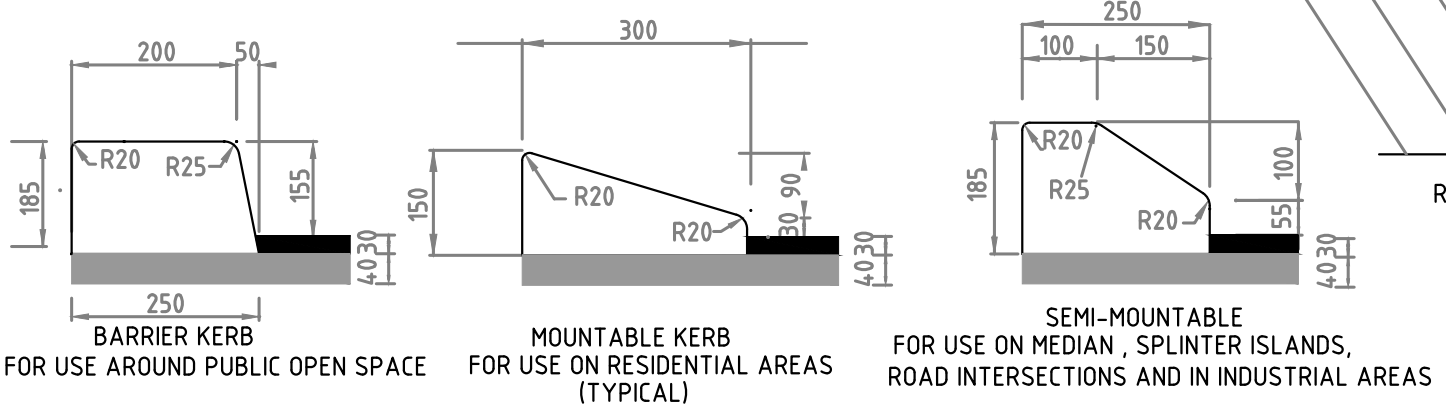


**KERB EXPANSION JOINT DETAIL**  
N.T.S



**REINFORCED FLUSH BEAM FOR BLOCK PAVING**  
N.T.S

- NOTE KERBING:**
1. CONCRETE FOR EXTRUDED KERBING SHALL CONFIRM TO AS 1379-2007
  2. MINIMUM COMPRESSIVE STRENGTH 32MPa AT 28 DAYS
  3. MAXIMUM AGGREGATE SIZE 10mm.
  4. MAXIMUM SLUMP 50mm.
  5. ALL KERBING IS TO INCLUDE POLYPROPYLENE FIBRE MICRO-REINFORCEMENT(MASTERFIBRE 22). THE RECOMMENDED DOSAGE IS 0.9KG PER CUBIC METRE OF CONCRETE ADDED.
  6. CONTRACTION JOINTS SHALL BE PROVIDED AT 4m CENTRES, CONSISTING OF A GROOVE CUT INTO THE CONCRETE SURFACE
  7. EXPANSION JOINTS SHALL BE PROVIDED AT 4m CENTRES (BETWEEN CONTRACTION JOINTS) AND SHALL CONSIST OF A FOAM FILLER, MASTIC SEALED CLASS A POLYURETHANE SEALANT OR SIMILAR TO THE CITY'S SATISFACTION, GAP 12mm WIDE CUT TO THE FULL DEPTH OF THE KERB.
  8. FLUSH KERBING AND REINFORCED FLUSH BEAM TO HAVE EXPANSION JOINTS INSTALLED AT A MINIMUM OF 20m INTERVALS.
  9. FOR REINFORCED FLUSH BEAMS THE REINFORCEMENT IS TO END APPROX 50mm BEFORE THE EXPANSION JOINT.



**STANDARD EXTRUDED KERBING SECTIONS**

H	WEARING COURSE THICKNESS, KERB PROFILES UPDATED			10/01/24
G	REINFORCED KERB DETAILS UPDATED			5/09/23
F	updated			15/12/20
E	SMK updated			07/11/19
D				20/09/19
Document Set ID: 6490764				
Version: 9, Version Description: 01/2024		Chk'd	App'd	Date



**CITY OF COCKBURN**  
 9 COLEVILLE CRESCENT,  
 SPEARWOOD WA 6163  
 PHONE: (08) 9411 3444  
**STANDARD DETAILS**

Title		ROADWORKS		
		ROAD PAVEMENT & KERBING DETAILS		
DESIGNED	NS	APPROVED	SCALE AS SHOWN	JOB No
DRAWN	NS	DATE	DWG No	SHEET No
CHECKED			2423B03	01
				H