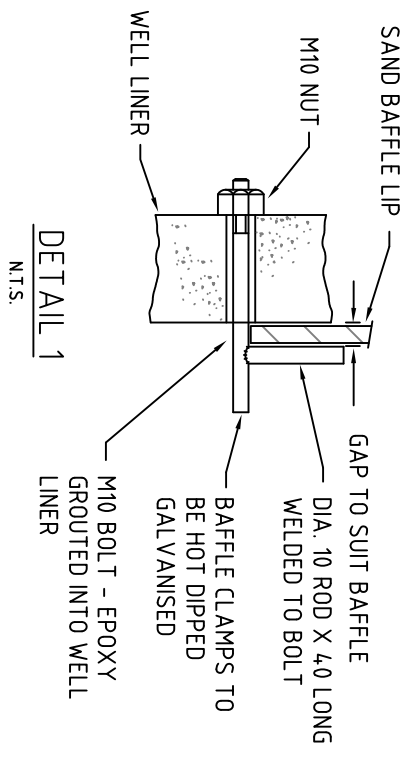


TYPICAL TRAP JUNCTION PIT OR GULLY FOR 150Ø TO 300Ø PIPES
SCALE 1:20

NOTE
GEOFABRIC-BIDIM A14 & AGGREGATE SOAKAGE UNDERLAY NOT APPLICABLE WHEN BASE IS LESS THAN 500mm ABOVE AAMGL.



- NOTES:**
- WHERE PIPES ENTER CIRCULAR PITS THE PIPE SHALL BE CUT AND TRIMMED FLUSH WITH THE PIT WALL AND GROUTED.
 - ALL JUNCTION PITS & SIDE ENTRY PITS SHALL BE 900 1050 OR 1200Ø R.C. PIPE CLASS'S' OR 1000X1000 (MIN) X 230 BRICKWORK AS PER TABLE

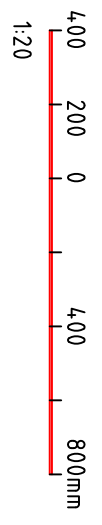
PIPE DIAMETER	PIT SIZE & TYPE
300 - 375	900Ø R.C. PIPE
400 - 600	1050Ø R.C. PIPE
675	1200Ø R.C. PIPE
750 - 900	970 X 970 X 230 BRICKWORK
1050	230mm BRICKWORK TO SUIT PIPE
1200	SEE DWG CB3

- WHERE INTERNAL DEPTH OF PIT EXCEEDS 1.5m INDUSTRIAL STANDARD STEP IRONS SHALL BE PROVIDED FOR FULL DEPTH.
- COVERS TO FINISH FLUSH WITH FINISHED SURFACE LEVELS.
- TOTAL RENDERING OF THE INTERIOR OF BRICK PITS IS NOT REQUIRED - BUT ALL BRICK PITS SHALL BE HAND RENDERED FROM INVERT TO A MINIMUM HEIGHT OF 300mm ABOVE OVER INLET PIPE NO EXTERNAL RENDERING.
- CORBELLING OF B/W PITS (WHERE REQUIRED) CARRIED OUT WITH STANDARD SEWERAGE CORBELS.
- BENCHING TO BE PROVIDED WHERE PIT ACTS AS JUNCTION PIT.
- STORMWATER ALIGNMENT (FROM FRONT OF KERB).
- PIT TYPES:

1	S.E.P.
1/2	COMBINED SIDE ENTRY & GRATE GULLY
2	JUNCTION PIT
3	INDUSTRIAL GULLY
4	DOUBLE S.E.P.
5	DOUBLE GULLY
6	LOT CONNECTION PIT
7	SPECIAL
SP	TRAPPED PIT
T	BRICK CHAMBER
BK	STANDARD PRECAST HEADWALL
HW	

SAND TRAP JUNCTION PITS

IN ALL CASES WHERE SUBSOIL DRAINS ENTER JUNCTION PITS OR SIDE ENTRY PITS THE PIT SHALL BE TRAPPED BY CONSTRUCTING THE BASE OF THE PIT 600mm BELOW INVERT OF THE DOWNSTREAM PIPE. THE LAST PIT PRIOR TO ENTRY TO MAIN DRAIN SHALL ALSO BE TRAPPED USING SPECIAL TRAP JUNCTION OR BAFFLE. IN NO CIRCUMSTANCE SHALL ANY SUBSOIL DRAINS BE CONNECTED DIRECTLY TO MAIN DRAINS OR MAIN DRAIN JUNCTION PITS.



CITY OF COCKBURN
9 COLEVILLE CRESCENT, SPEARWOOD WA 6163
PHONE: (08) 9411 3444 FAX: (08) 9411 3416

STANDARD DETAILS

DESIGNED: GHD APPROVED: AS SHOWN JOB No: _____
DRAWN: KMF/SYC DWG No: 2423B03 SHEET No: 14
CHECKED: KR DATE: _____ REV: _____

DRAINAGE SUBSOIL JUNCTION PIT & TYP TRAP JP/GULLY..150-300Ø PIPES

CITY OF COCKBURN WOULD LIKE TO ACKNOWLEDGE AND THANK GUTTERIDGHASKINS & DAVEY PTY. LTD. FOR THEIR ASSISTANCE IN THE PRODUCTION OF THESE STANDARD DETAIL DRAWINGS

No.	Revision-	Chk'd	App'd	Date