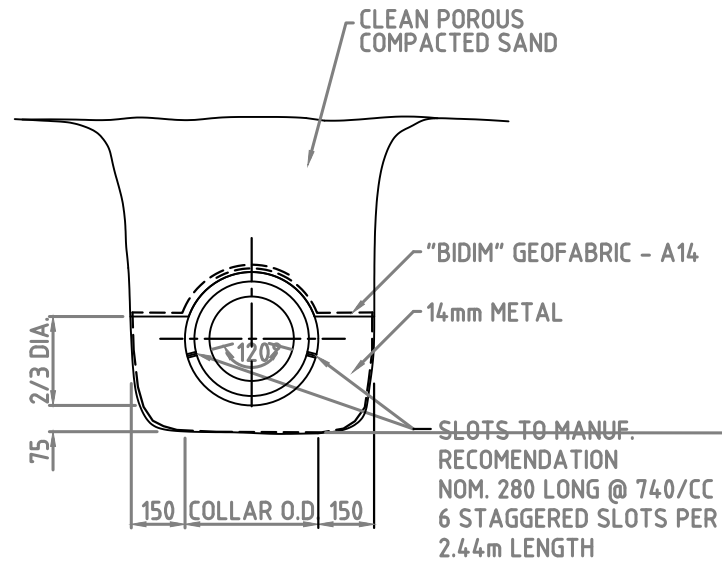
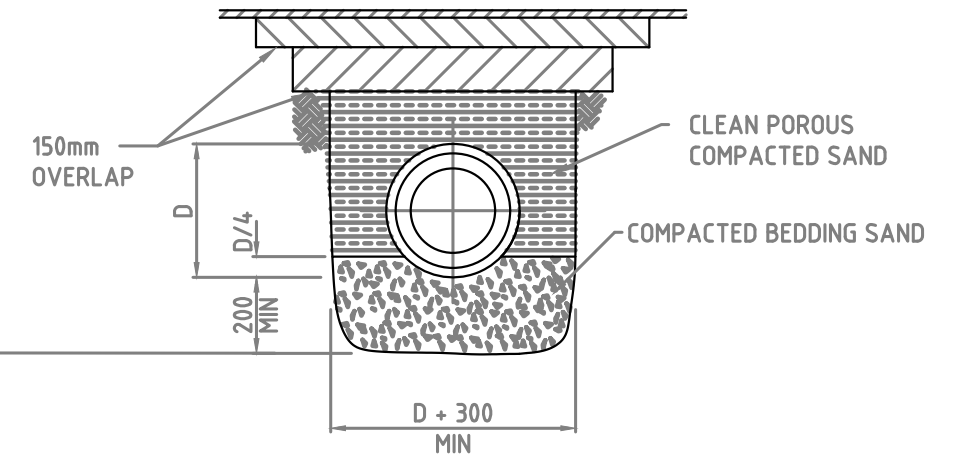


STRIP DRAIN



FOR  $\phi$ 150 -  $\phi$ 450



FOR  $>\phi$ 450

DRAINAGE TRENCH DETAILS

E	BEDDING DETAILS AMENDED FOR $>\phi$ 450		08/09/23
D			15/03/23
C			31/08/18
B			9/11/07
A			21/8/03
		Chk'd	App'd
			Date



CITY OF COCKBURN  
 9 COLEVILLE CRESCENT,  
 SPEARWOOD WA 6163  
 PHONE: (08) 9411 3444

STANDARD DETAILS

Title				DRAINAGE DRAINAGE TRENCH DETAILS		
DESIGNED	NS	APPROVED	SCALE AS SHOWN	JOB No		
DRAWN	NS	DATE	DWG No	SHEET No	REV	
CHECKED			2423B03	13	E	