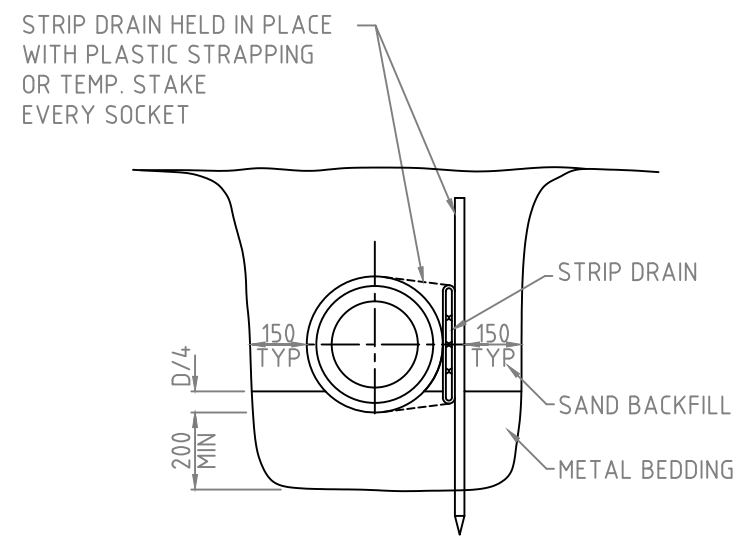
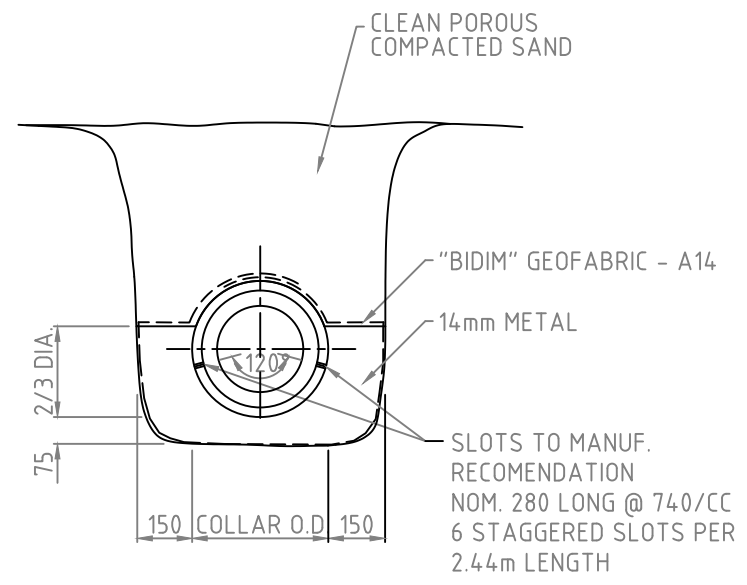


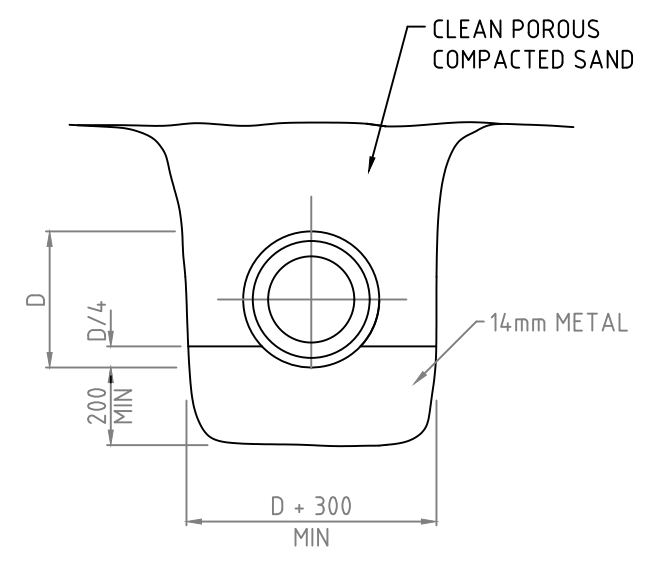
**STEP IRON DETAILS  
FOR SIDE ENTRY PIT**  
STEP IRONS TO BE 24 DIA HOT DIPPED GALVANISED DEFORMED BARS



STRIP DRAIN



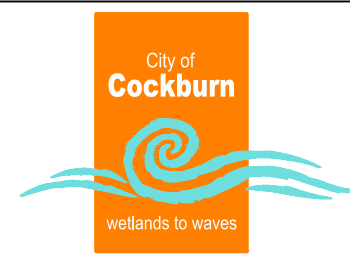
FOR  $\phi$ 150 -  $\phi$ 450



FOR  $>\phi$ 450

DRAINAGE TRENCH DETAILS

C			31/08/18
B			9/11/07
A			21/8/03
Document Set ID: 6491068			
Version: 2, Version Date: 04/2019		Chk'd	App'd Date



**CITY OF COCKBURN**  
9 COLEVILLE CRESCENT,  
SPEARWOOD WA 6163  
PHONE: (08) 9411 3444  
**STANDARD DETAILS**

Title			
DRAINAGE DRAINAGE TRENCH AND STEP IRON DETAILS			
DESIGNED	NS	APPROVED	SCALE AS SHOWN
DRAWN	NS	DATE	JOB No
CHECKED			DWG No
			SHEET No
			REV
			2423B03
			13
			C