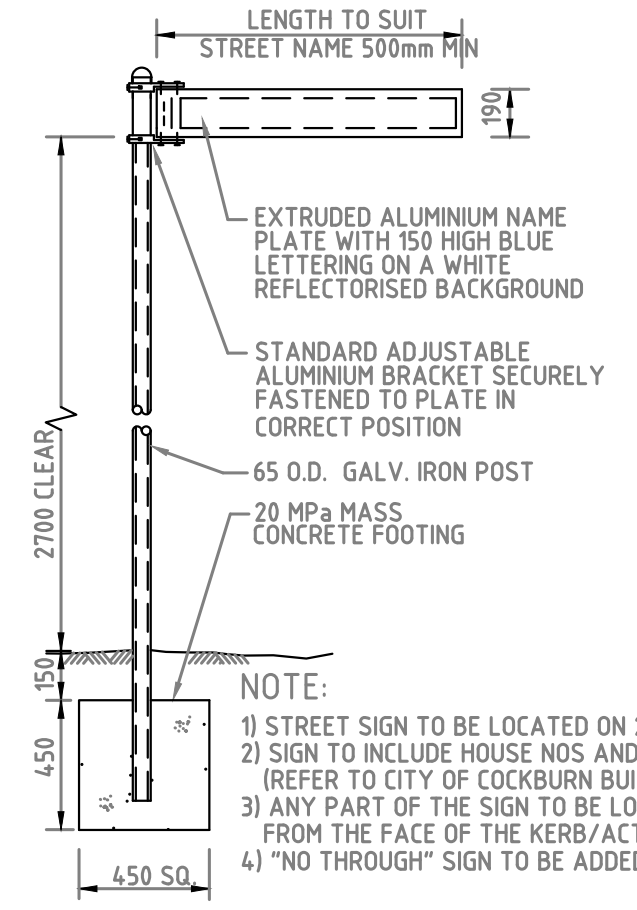
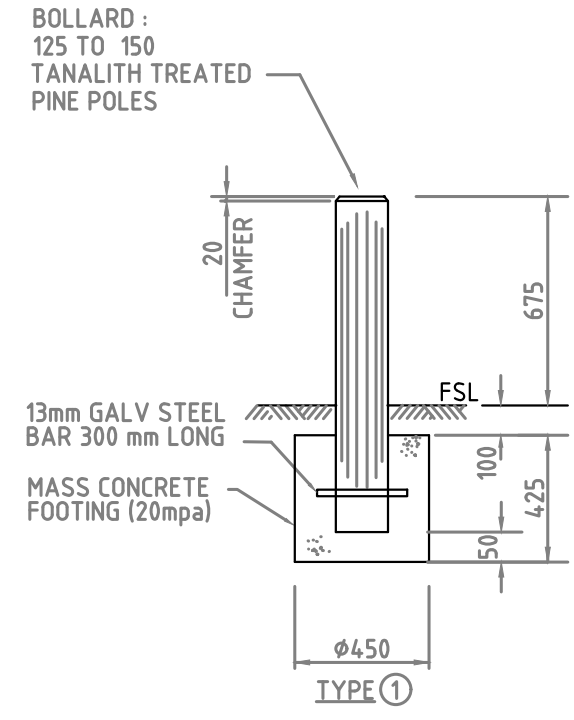
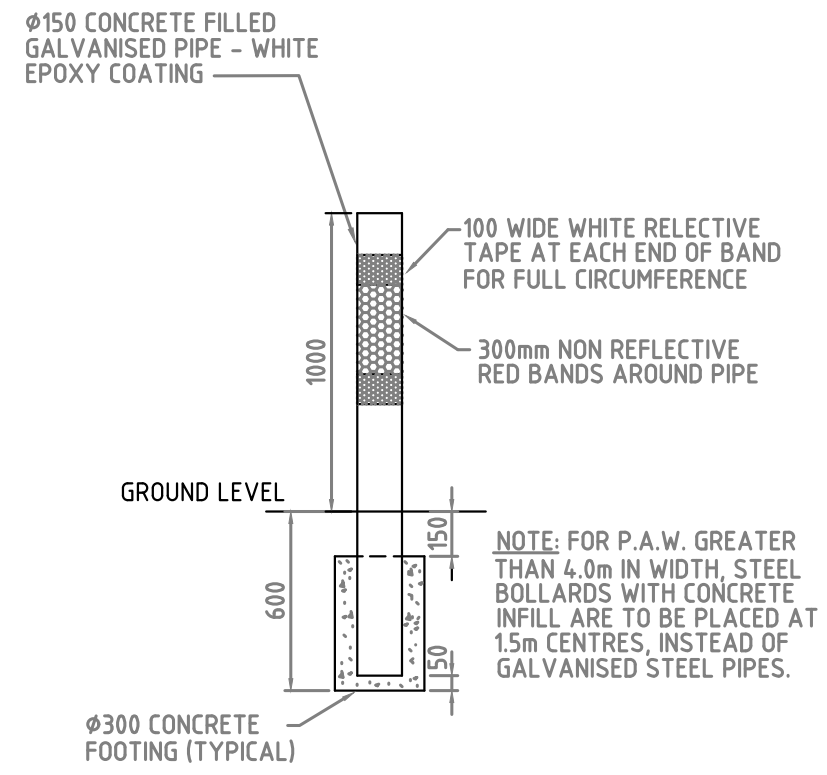


POST & RAIL FENCING DETAILS  
1:25

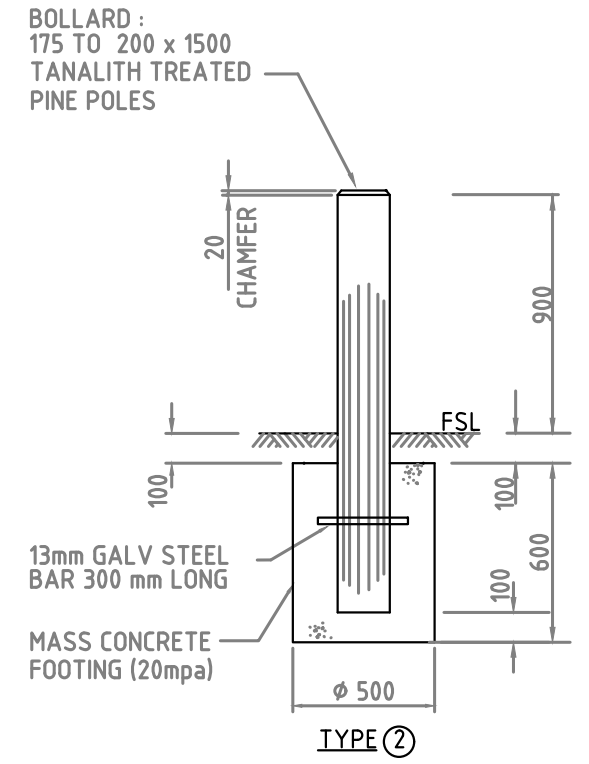
ALL BOLLARDS TO BE  
ERECTED AT MIN 1200 c/c  
OR MAX 1500 c/c



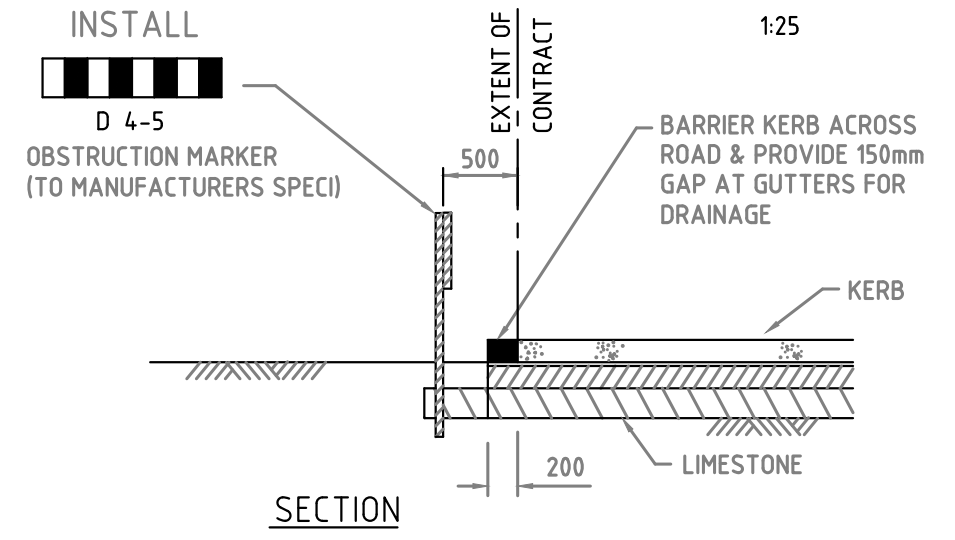
STREET SIGN DETAIL  
1:25



TYPICAL GALVANISED BOLLARD DETAIL



TYPICAL TIMBER BOLLARD DETAIL  
1:25



OBSTRUCTION MAKER DETAILS AT ENDS OF ROADS  
1:50

|  |   |       |          |
|--|---|-------|----------|
| D  | ADDED TITLE TO GALVANISED BOLLARD/NOTES AMENDED |       | 21/09/23 |
| C  |   |       | 31/08/18 |
| B  |   |       | 9/11/07  |
| A  |   |       | 21/8/03  |
| Document Set ID: 6490876<br>Version: 3, Version Date: 26/09/2023 |   | Chk'd | App'd    |



CITY OF COCKBURN  
9 COLEVILLE CRESCENT,  
SPEARWOOD WA 6163  
PHONE: (08) 9411 3444  
STANDARD DETAILS

|          |    |   |                |
|----------|----|---|----------------|
| Title    |    | ROADWORKS                                   |                |
|          |    | TYPICAL POST, BOLLARD & STREET SIGN DETAILS |                |
| DESIGNED | NS | APPROVED                                    | SCALE AS SHOWN |
| DRAWN    | NS | DATE  | JOB No         |
| CHECKED  |    |   | DWG No         |
|          |    |   | SHEET No       |
|          |    |   | REV            |
|          |    |   | 2423B03 05 D   |