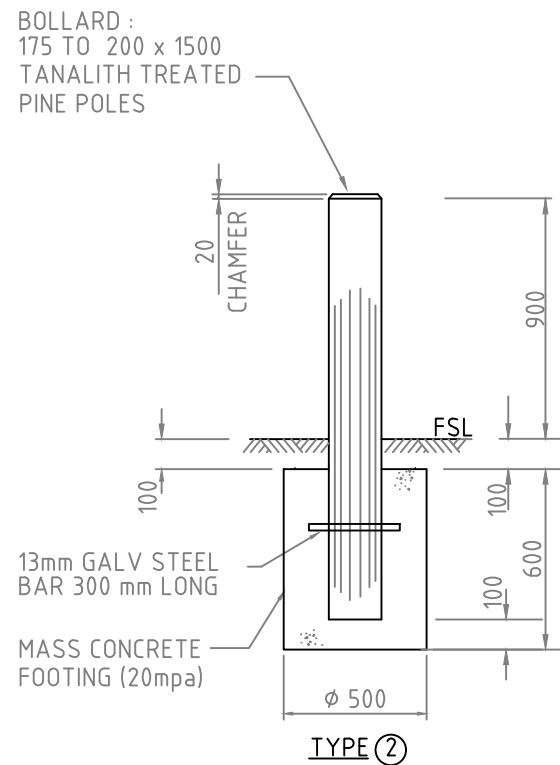
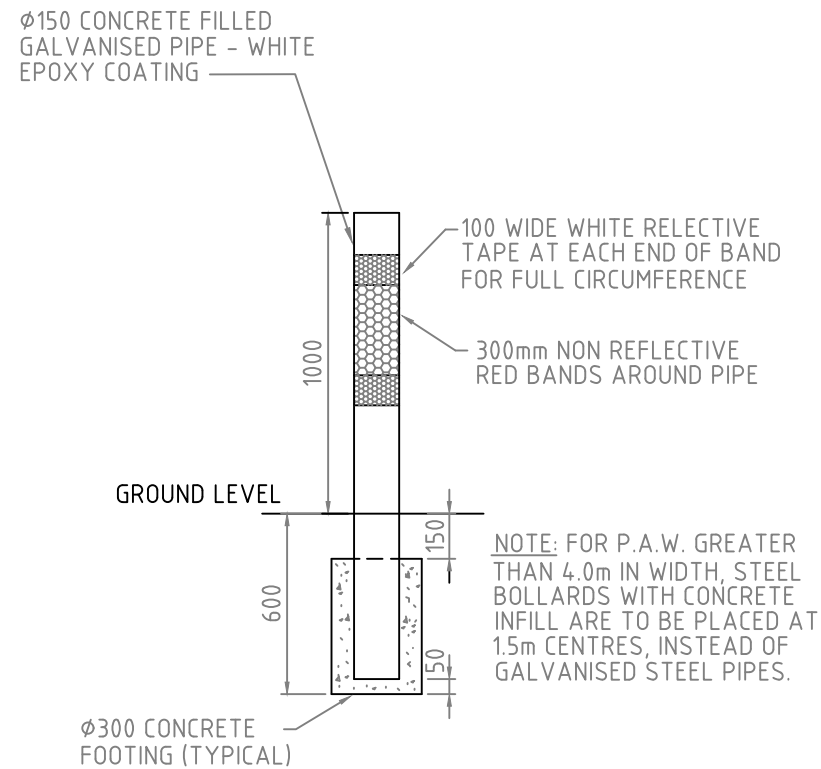
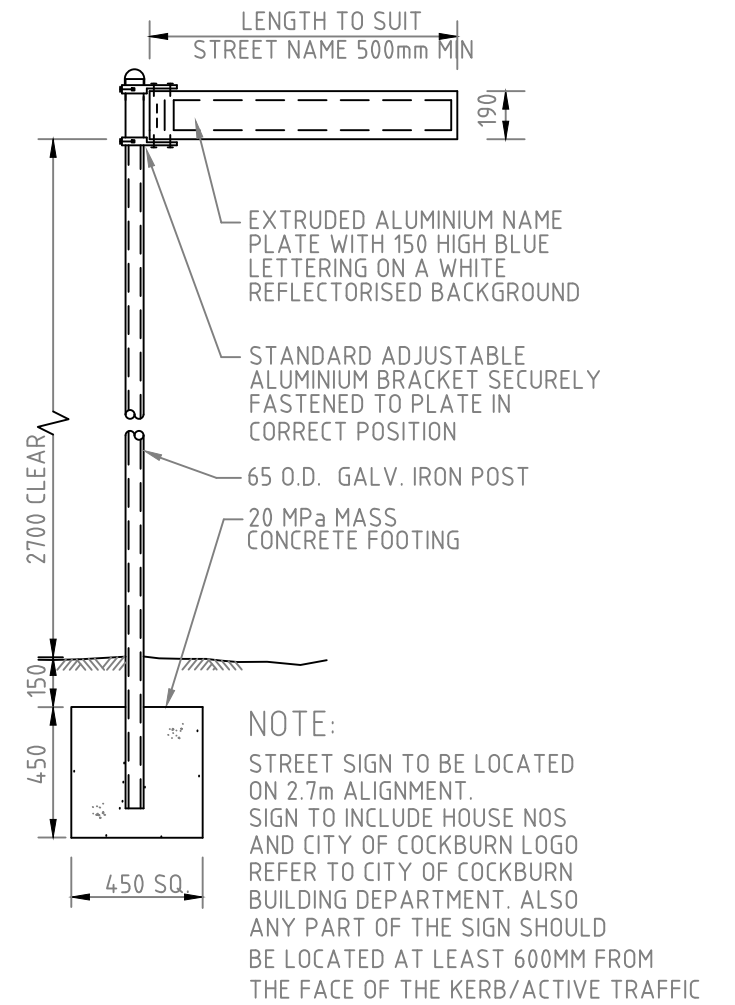
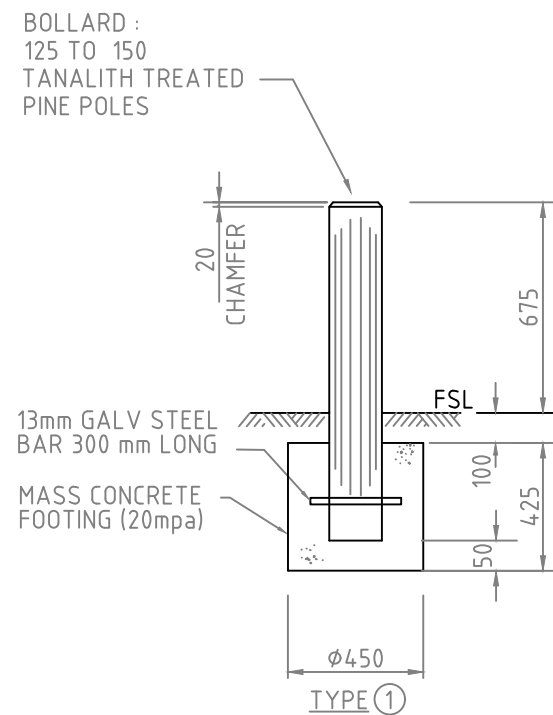


POST & RAIL FENCING DETAILS
1:25

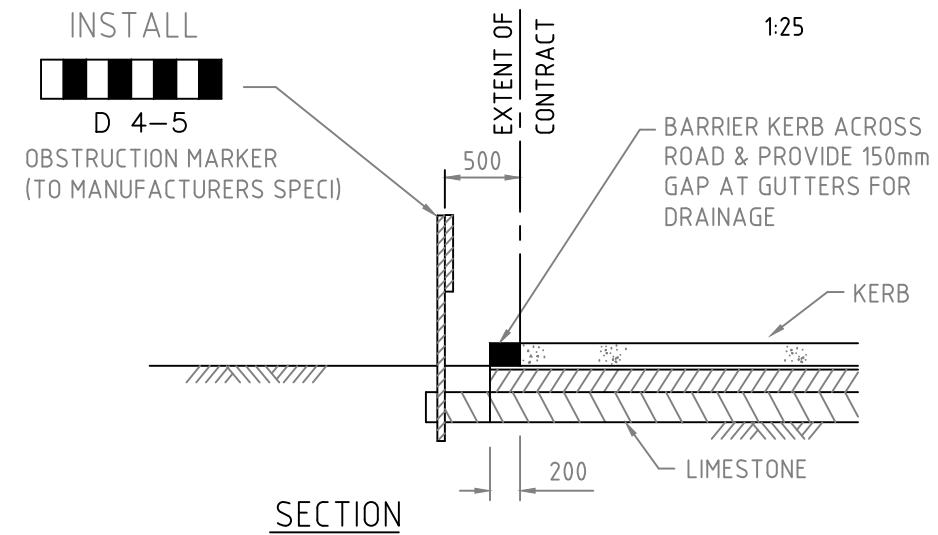


TYPICAL TIMBER BOLLARD DETAIL
1:25

ALL BOLLARDS TO BE ERECTED AT MIN 1200 c/c OR MAX 1500 c/c



STREET SIGN DETAIL
1:25



OBSTRUCTION MAKER DETAILS AT ENDS OF ROADS
1:50



CITY OF COCKBURN
9 COLEVILLE CRESCENT,
SPEARWOOD WA 6163
PHONE: (08) 9411 3444

STANDARD DETAILS

Title				ROADWORKS			
				TYPICAL POST, BOLLARD & STREET SIGN DETAILS			
DESIGNED	NS	APPROVED		SCALE	AS SHOWN	JOB No	
DRAWN	NS	DATE		DWG No		SHEET No	REV
CHECKED				2423B03		05	C